

THE FAMILY OF PRE-FURRED WALL INSULATIONS

StyroStud[™]

R-Value = 3.85/in. 75°

MANUFACTURED FROM:

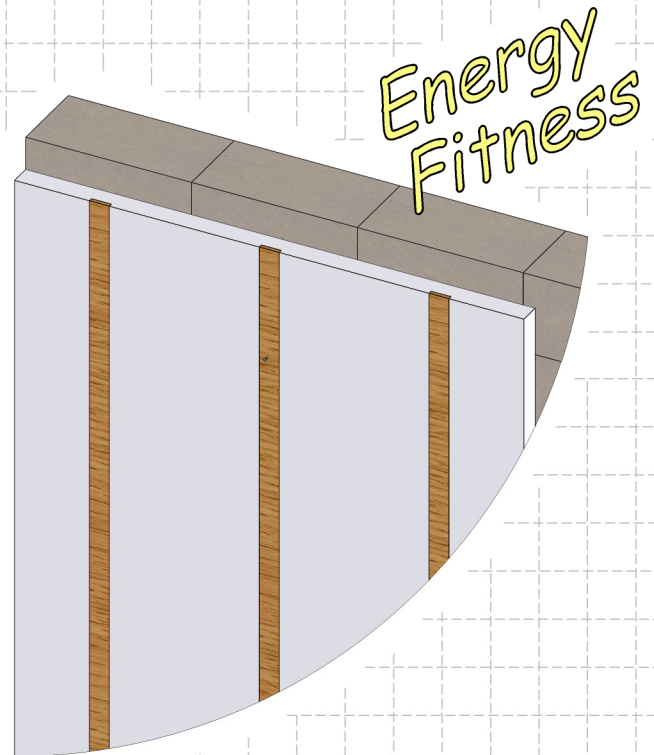
RayLite Brand Expanded Polystyrene With
Built-In Furring Stud

- STANDARD SIZES -

- 1" X 48" X 96"
- 1 1/2" X 48" X 96"
- 2" X 48" X 96"

Furring studs 16" or 24" O.C.
Available with Treated or Non-Treated furring studs.

Other thicknesses of StyroStud available upon request.



CertiStud[™]

R-Value = 5/in. 75°

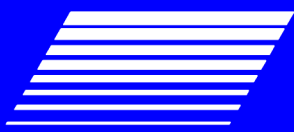
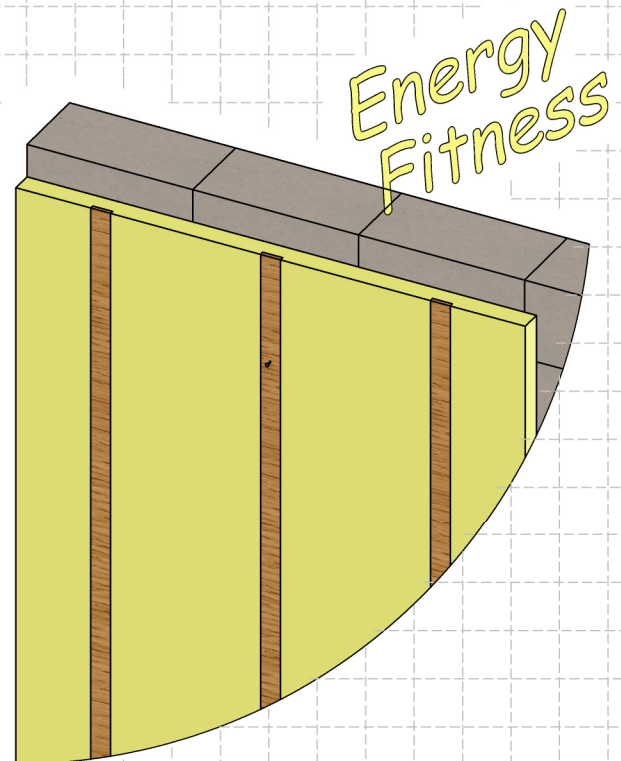
MANUFACTURED FROM:

CertiFoam Brand Extruded Polystyrene With
Built-In Furring Stud

- STANDARD SIZES -

- 1" X 48" X 96"
- 1 1/2" X 48" X 96"
- 2" X 48" X 96"

Furring studs 16" or 24" O.C.
Available with Treated or Non-Treated furring studs.



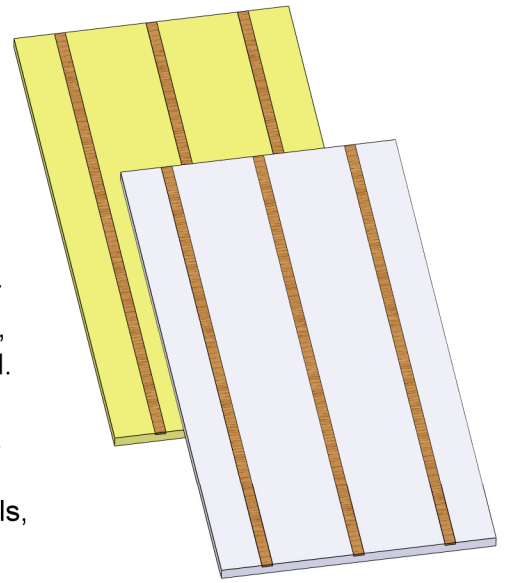
DiversiFoam[™]
PRODUCTS

INSTALLATION GUIDE

GENERAL

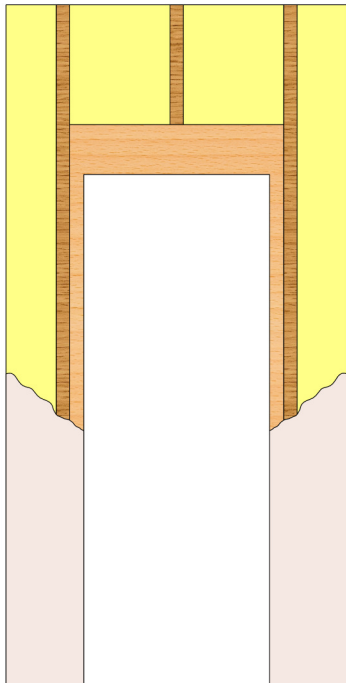
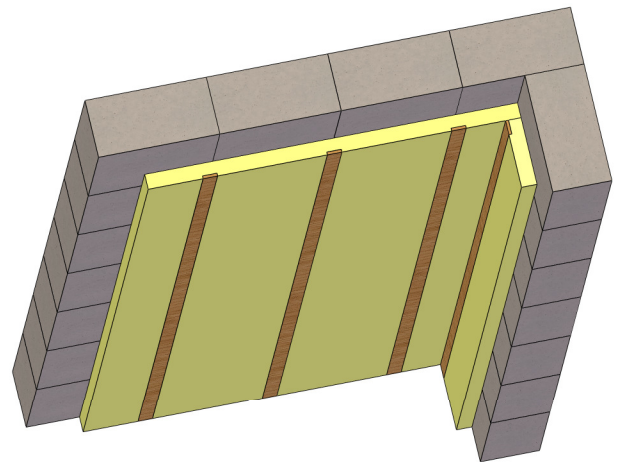
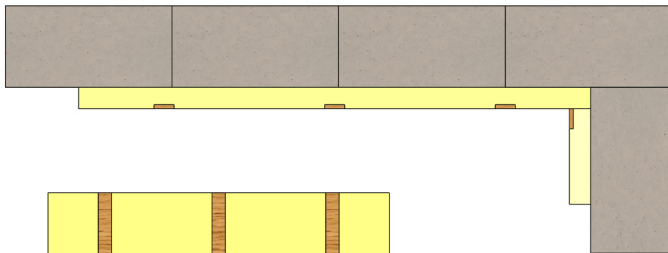
StyroStuds and CertiStuds must be mechanically fastened, through the built in furring stud, to the substrate. Because of the variety of substrates, and materials that could be applied over the insulation system, you must follow the fastener manufacturer's requirements for proper fastener installation. For interior wall application, use an approved thermal barrier, such as 1/2" gypsum board, to cover the insulation system when required. StyroStuds and CertiStuds are to be installed square at right angles to existing floor and ceiling. To cut, score the StyroStud or CertiStud with a utility knife and snap off the excess material.

For vertically fastened materials, like board & batten siding or metal panels, simply install the StyroStud or CertiStud with the furring studs horizontal.



CORNERS

Cut the insulation along one side of the built-in furring stud to form a corner as shown. Furring studs must be placed in corner to provide a positive fastening surface for wall finishing material. Fasten as described above.



WINDOWS/DOORS

Make sure all framing is extended to be flush with the finished wall. Fit the StyroStud or CertiStud flush against the jambs, as shown, by cutting along one side of the built in furring stud. Fasten as described above. Fill any voids with compatible latex sealant or spray foam insulation.



NOTE: Like most construction materials, EPS and XEPS are combustible and may constitute a fire hazard if improperly installed or stored. Current model building code requirements should be met for adequate protection or separation from occupied areas.

