

BY **DAVE KRENDL**

Fiber Machines
Cutting Edge **COOL**



A Great Choice for the
'Weatherization Contractor'

CM 1500

All-Fiber: Attic Blow, Dense-Pack(retro-fit)
SideWall,Wall Spray,Fireproofing.

Material	Production Rate/hr
Cellulose	2200 lbs
Fiberglass	900 lbs
Rockwool	1400 lbs

*Optional: double blower system

The **1500** series machine is an economical, compact/portable, high production machine with low power requirements. The many options (double blowers, input power, wheel package), offer choices to the small contractor that require versatility, production, and low maintenance in a high endurance machine. ('scalping' auger/shredder)

STANDARD FEATURES AND BENEFITS

Mechanical

- Large 14 cu./ft. hopper capacity fiber storage.
- Quick-release hopper offers fast access to airlock with easy handling and transport.
- Quick release auger provides easy access to airlock seal replacement and service.
- Slide-gate control and integrally mounted 'pressure gauge' provides precise control of fiber.
- High quality powder coating provides a long lasting corrosion resistant finish.
- Modular design with see-thru access panel for quick troubleshooting and maintenance.
- Dual 'scalping' auger/shredders increase fiber conditioning while providing consistent feed.
- High torque TEFC motor/reducer drive provides long motor life.
- #40 nickel plated double chain and hardened sprockets, are rugged, and corrosion resistant.
- One or two integrally mounted blowers w/check valve and filter protection.
- 150 ft. dual function (3-position) remote cord w/cord hanger, offers control and convenience.

Electrical

- Safety Features: kill switch and manual override controls promote increased operator safety and quick hazard response.
- 'Panel' mounted manual thermal overload protection of all motors and electrical components.
- Deluxe voltmeter for low voltage protection of motors and L.E.D. 'lighted' plugs and receptacles for quick electrical diagnostics.
- Duplex auxiliary outlets for accessory devices.

CM 1500 SPECIFICATIONS

Weight

330lbs.(1-blower)
350 lbs. (2-blower)

Dimensions

20" W x 35" L x 57" H

Hopper Capacity

14 cu./ft.

Airlock

14" long x 10" diameter
(Volume capacity = 1099 cu./in.)
Single Blower 4.0 p.s.i.
Double Blower 4.5 p.s.i.
3" output for blowing hose
Quick-release auger for access to airlock seals.

Power Requirements

Dual Input, 15/15 amp. 120 volt.
Single Blower or Double Blowers
(8 amp & 13 amp Blowers)
Dual input, 15/20 amp. 120 volt
Double Blower. (2-13 amp Blower)
(230volt /50 hz, for export)

Blowers

Single Blower, 2-stage, 8.4" dia.,
140 cfm (120volt, 13amp.)
Double Blower, 5.7", 8 amps. (104 cfm)
& 8.4", 13 amps. (15/15 amp. input)
Double Blower, 8.4", 13 amps.
(15-20 amp. input)
Overseas Export Blowers:
230/240 volt, 50 Hz.
(4 amp. or 6.6 amps.)

Generator Size

5,000 watt or larger/ 1 blower
7,500 watt or larger/ 2 blower

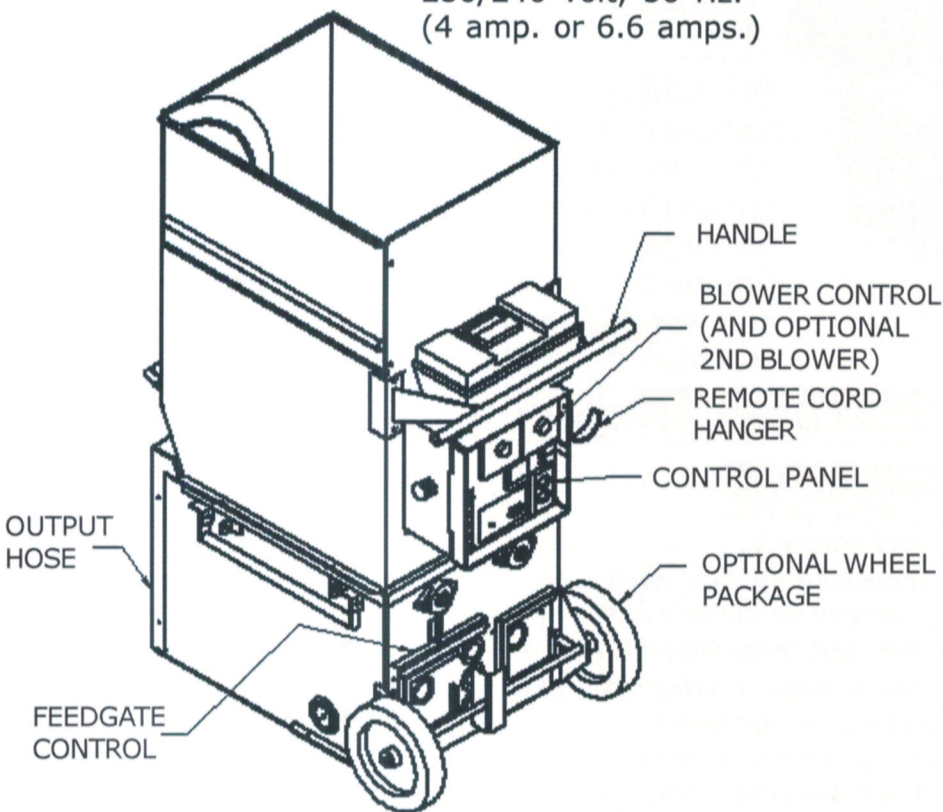
Options

- **Blowers:**
Single or Double (8 or 13 amp.)
- **Wheel Package:**
10" Air or Hard Rubber
- CE mark Conformity f/ export
- Wireless remote, Hose & Hose Reels, etc.

BENEFITS

Warranty: One Year

The **1500** series machine provides an economical, portable, high production machine with low power requirements and reduced weight/size in your truck/trailer system. The simple design and minimal moving parts provide a machine that is low maintenance and easy to repair.



COOL People

President - Dave Krendl
Ofc: 419.232.4871
dave@coolmachines.com

Tech Support:
Ofc: 419.232.4871
support@coolmachines.com

General Manager - Andy Schulte
Ofc: 419.232.4871
andy@coolmachines.com