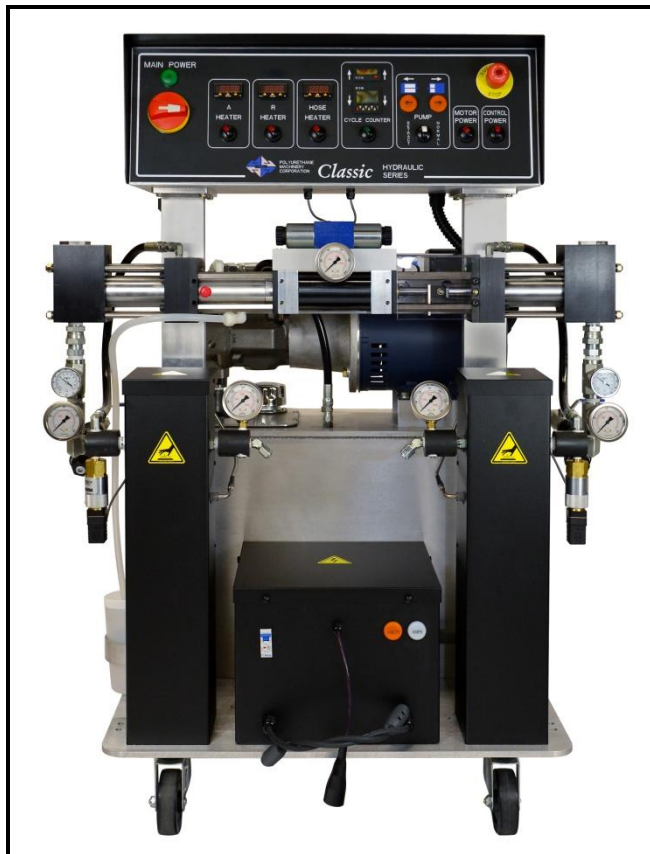




POLYURETHANE MACHINERY CORPORATION



Classic PH-40 Proportioner

Manual
Ref. # MN-04005

May 1, 2012

Polyurethane Machinery Corp.

Corporate: 1 Gusmer Drive, Lakewood, NJ 08701
Manufacturing: 2 Gusmer Drive, Lakewood, NJ 08701
Phone: 732-415-4400 Fax: 732-364-4025

<http://www.polymac-usa.com>



Before installing the PH Series Proportioner and start-up, carefully read all the technical and safety documentation included in this manual. Pay special attention to the information in order to know and understand the operation and the conditions of use of the PH Series Proportioner. All of the information is aimed at improving user safety and avoiding possible breakdowns from the incorrect use of the PH Series Proportioner



Classic PH-40 Manual

Warranty	3
Safety and Handling	5
Characteristics	
Principal Heating System	7
Hose Heating System	7
Double Acting Opposed Piston Metering Pumps	7
Technical Specifications	
Electrical	8
Mechanical	8
Description	9
Installation	13
Proportioner Purging	18
Digital Temperature Controller	20
Start-Up	21
Shutdown Procedures	23
Troubleshooting	24
Heaters	25
Hydraulic Drive System.....	28
Metering Pump Line.....	31
Hose Heating	35
Maintenance	38
Inlet Material Screens	40
Iso Lubrication System.....	41
Hydraulic Drive System	41
Metering Pump Line	42
Material Heater	44
Replacement Kits	46
Hydraulic Oil Specification	49
Parts Identification	
Pump Line Assembly	50
Iso (A) Pump Line -120.....	51
Poly (R) Pump Line -120.....	52
Iso (A) Pump Line -80.....	53
Poly (R) Pump Line -80.....	54
Hydraulic Cylinder.....	55
Machine Spare Parts	56
Electrical Schematics.....	64



Classic PH-40 Manual

WARRANTY

Polyurethane Machinery Corporation (hereinafter “PMC”) provides this **LIMITED WARRANTY** (hereinafter “Warranty”) to the original purchaser (hereinafter “Customer”) covering this equipment and the original PMC manufactured accessories delivered with the equipment (hereinafter “Product”) against defects in material or workmanship of the Product (hereinafter “Defect” or “Defective”) for a period of one (1) year from the date of first purchase as shown on the original PMC invoice (hereinafter “Warranty Period”).

If during the Warranty Period under normal use, the Product is suspected by Customer to be Defective in material or workmanship, it is Customer’s responsibility to contact PMC and return the Product to PMC as directed by PMC, freight prepaid. If PMC determines that the Product is Defective and that such Defect is covered by this Warranty, PMC will credit Customer for the reasonable freight charges incurred by Customer in returning the Defective Product to PMC, and PMC (or its authorized agent) will, at PMC’s option, repair or replace the Product, subject to the following:

Original Invoice: The original invoice must be kept as proof of the date of first sale and the Product serial number. The Warranty does not cover any Product if the Original Invoice appears to have been modified or altered, or when the serial number on the Product appears to have been altered or defaced.

Product Maintenance: It is the Customer’s responsibility to maintain the Product properly. See your maintenance schedule and owner’s manual for details. The Warranty does not cover an improperly maintained Product.

Non-PMC Components and Accessories: Non-PMC manufactured components and accessories that are used in the operation of the Product are not covered by this Warranty. Such components and accessories shall be subject to the warranty offered to the Customer, if any, by the original manufacturer of such component or accessory.

Other Warranty Exclusions: The Warranty does not cover any Product that PMC determines has been damaged or fails to operate properly due to misuse, negligence, abuse, carelessness, neglect, or accident. By way of example only, this includes:

- Normal wear and tear.

- Improper or unauthorized installation, repair, alteration, adjustment or modification of the Product.

- Use of heating devices, pumping equipment, dispensers, or other parts or accessories with the Product that have not been approved or manufactured by PMC.

- Failure to follow the operating instructions and recommendations provided by PMC.

- Cosmetic damage.

- Fire, flood, “acts of God,” or other contingencies beyond the control of PMC.



Classic PH-40 Manual

WARRANTY (cont'd)

THE WARRANTY DESCRIBED HEREIN IS THE EXCLUSIVE REMEDY FOR THE CUSTOMER AND IS IN LIEU OF ALL OTHER WARRANTIES, EXPRESS, IMPLIED, STATUTORY OR OTHERWISE, AND THE IMPLIED WARRANTIES OF MERCHANTABILITY AND FITNESS FOR A PARTICULAR PURPOSE AND ALL OTHER WARRANTIES ARE HEREBY DISCLAIMED. TO THE FULLEST EXTENT PERMITTED BY LAW, PMC SHALL NOT BE RESPONSIBLE, WHETHER BASED IN CONTRACT, TORT (INCLUDING, WITHOUT LIMITATION, NEGLIGENCE), WARRANTY OR ANY OTHER LEGAL OR EQUITABLE GROUNDS, FOR ANY CONSEQUENTIAL, INDIRECT, INCIDENTAL, LOST PROFITS, SPECIAL, PUNITIVE OR EXEMPLARY DAMAGES, WHETHER TO PERSON OR PROPERTY, ARISING FROM OR RELATING TO THE PRODUCT, EVEN IF PMC HAS BEEN ADVISED OF THE POSSIBILITY OF SUCH LOSSES OR DAMAGES.

Non-Warranty Service by PMC: If PMC determines that the suspected Defect of the Product is not covered by this Warranty, disposition of the Product will be made pursuant to the terms and conditions of PMC's written estimate on a time and materials basis.

Continuing Warranty for Products Repaired or Replaced under Warranty: Following the repair or replacement of a Product covered by this Warranty, such Product will continue to be subject to the original Warranty for the remainder of original Warranty Period or for three (3) months from the repair or replacement date, whichever is longer.

No Rights Implied: Nothing in the sale, lease or rental of any Product by PMC shall be construed to grant any right, interest or license in or under any patent, trademark, copyright, trade secret or other proprietary right or material owned by anyone; nor does PMC encourage the infringement of same.

Exclusive Warranty: This writing is the final, complete, and exclusive expression of the Warranty covering the Product. Any statements made by PMC, its employees or agents that differ from the terms of this Warranty shall have no effect. It is expressly understood that Customer's acceptance of this Warranty, by performance or otherwise, is upon and subject solely to the terms and conditions hereof, and any additional or different terms and conditions proposed or expressed by Customer or anyone, whether in writing or otherwise, are null and void unless specifically agreed to in writing by an Officer of PMC.



Classic PH-40 Manual

SAFETY AND HANDLING

This chapter contains important information on the safety, handling and use of your *Classic* PH Series Proportioner.



Before installing the PH Series Proportioner and start-up, carefully read all the technical and safety documentation included in this manual. Pay special attention to the information to know and understand the operation and the conditions of use of the PH Series Proportioner. All of the information is aimed at enhancing User Safety and avoiding possible breakdowns derived from the incorrect use of the PH Series Proportioner.

WARNING! presents information to alert of a situation that might cause serious injuries if the instructions are not followed.

CAUTION! presents information that indicates how to avoid damage to the Proportioner or how to avoid a situation that could cause minor injuries.

NOTE! is relevant information of a procedure being carried out.

Careful study of this manual will enable the operator to know the characteristics of the PH Series Proportioner and the operating procedures. By following the instructions and recommendations contained herein, you will reduce the potential risk of accidents in the installation, use or maintenance of the PH Series Proportioner; you will provide a better opportunity for incident-free operation for a longer time, greater output and the possibility of detecting and resolving problems fast and simply.

Keep this Operations Manual for future consultation of useful information at all times. If you lose this manual, ask for a new copy from your PMC Service Center, directly contact PMC or on line at our web site (www.polymac-usa.com).



Classic PH-40 Manual

SAFETY AND HANDLING (cont'd)

The *Classic* PH Series Proportioner has been designed and built for the application of polyurea chemical systems, polyurethane foam chemical systems and some two-component epoxy systems.

WARNING! The design and configuration of the PH Series Proportioner does not allow its use in potentially explosive atmospheres or the pressure and temperature limits described in the technical specifications of this manual to be exceeded.

Always use liquids and solvents that are compatible with the unit. If in doubt, consult PMC Technical Service.

When working with the PH Series Proportioner, it is recommended that the operator wear suitable clothing and elements of personal protection, including, without limitation, gloves, protective goggles, safety footwear and face masks. Use breathing equipment when working with the PH Series Proportioner in enclosed spaces or in areas with insufficient ventilation. The introduction and follow-up of safety measures must not be limited to those described in this manual. Before starting up the PH Series Proportioner, a comprehensive analysis must be made of the risks derived from the products to be dispensed, the type of application and the working environment.



To prevent possible injury caused by incorrect handling of the raw materials and solvents used in the process, carefully read the Material Safety Data Sheet (MSDS) provided by your supplier.

Deal with the waste caused according to current regulations.

To avoid damage caused by the impact of pressurized fluids, do not open any connection or perform maintenance work on components subject to pressure until the pressure has been completely eliminated.

Use suitable protection when operating, maintaining or being present in the area where the equipment is functioning. This includes, but is not limited to, the use of protective goggles, gloves, shoes and safety clothing and breathing equipment.

The equipment includes components that reach high temperatures and can cause burns. Hot parts of the equipment must not be handled or touched until they have cooled completely.

To prevent serious injury through crushing or amputation, do not work with the equipment without the safety guards installed on the moving parts. Make sure that all the safety guards are correctly reinstalled at the end of the repair or maintenance work of the equipment.



Classic PH-40 Manual

CHARACTERISTICS

The *Classic* PH-40 Proportioner has been designed and built for the application of polyurea chemical systems, polyurethane foam chemical systems and some specific two-component epoxy systems.

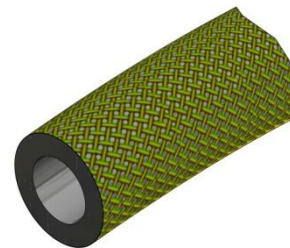
Principal Heating System

The Proportioner consists of two (2) independent Material Heaters without internal seals. Each Heater has four (6) Heating Elements rated 1,250 1,500 or 1,750 watts each giving the Proportioner a total heat of 15,000, 18,000 or 21,000 watts and the necessary control and safety components for their precise operation. The Material Heater design allows a temperature differential (ΔT) of 90° F and material application temperatures of up to 190° F under normal ambient temperatures.

Hose Heating System

The system is designed with a 5 KVA Isolation Transformer that enables effective heating of up to a total hose length of 410 feet. The system includes an innovative hose heating concept in which the continuous braid tinned-copper jacket is distributed evenly around the circumference of the hose providing a uniform heating watt density and precise control of the material application temperature. This hose heating element design is extremely resistant to fatigue failure.

100% circumferential coverage produces the most uniform distribution of heat available.



Double Acting Opposed Piston Metering Pumps

The opposed double acting Pump Line is driven by a dual rod Hydraulic Cylinder. The in-line pump system with opposed piston pumps provides a constant volume and guarantees uniform pressures in both directions of pump movement. Different sized pumps allow for various volumetric ratios to be achieved (1:4 to 1:1 to 4:1) between the chemical components used in the process.



Classic PH-40 Manual

TECHNICAL SPECIFICATIONS

Electrical

Main Voltage: _____ **3 x 208-230V, 50/60Hz**

Electrical Consumption: (2 x 7.5 kW Heaters) _____ 80 A @ 3 x 230V

Electrical Consumption: (2 x 9 kW Heaters) _____ 93 A @ 3 x 230V

Electrical Consumption: (2 x 10.5 kW Heaters) _____ 106 A @ 3 x 230V

Main Voltage: _____ **1 x 208-230V, 50/60Hz**

Electrical Consumption: (2 x 7.5 kW Heaters) _____ 130 A @ 1 x 230V

Material Heater Power: (2 x 7.5 kW) _____ 15 kW

Material Heater Power: (2 x 9 kW) _____ 18kW

Material Heater Power: (2 x 10.5 kW) _____ 21kW

Hose Transformer Power: _____ 5 KVA

Electrical Motor Power: _____ 5 HP



CAUTION! Inside the console is a Terminal Strip for connecting the main power (wire not supplied) to the PH Series Proportioner. This electrical connection must be made only by a qualified electrician.

Mechanical

Maximum working pressure (with 120 pumps): _____ 2,000 psi

Maximum working pressure (with 80 pumps): _____ 3,500 psi

Maximum production ratio 1:1 (with 120 pumps): _____ 40 lb/min

Maximum production ratio 1:1 (with 80 pumps): _____ 2.5 gpm

Minimum production: _____ 2 lb/min

Maximum hose length: _____ 410 ft

Approximate weight (Hydraulic Tank empty): _____ 420 lbs

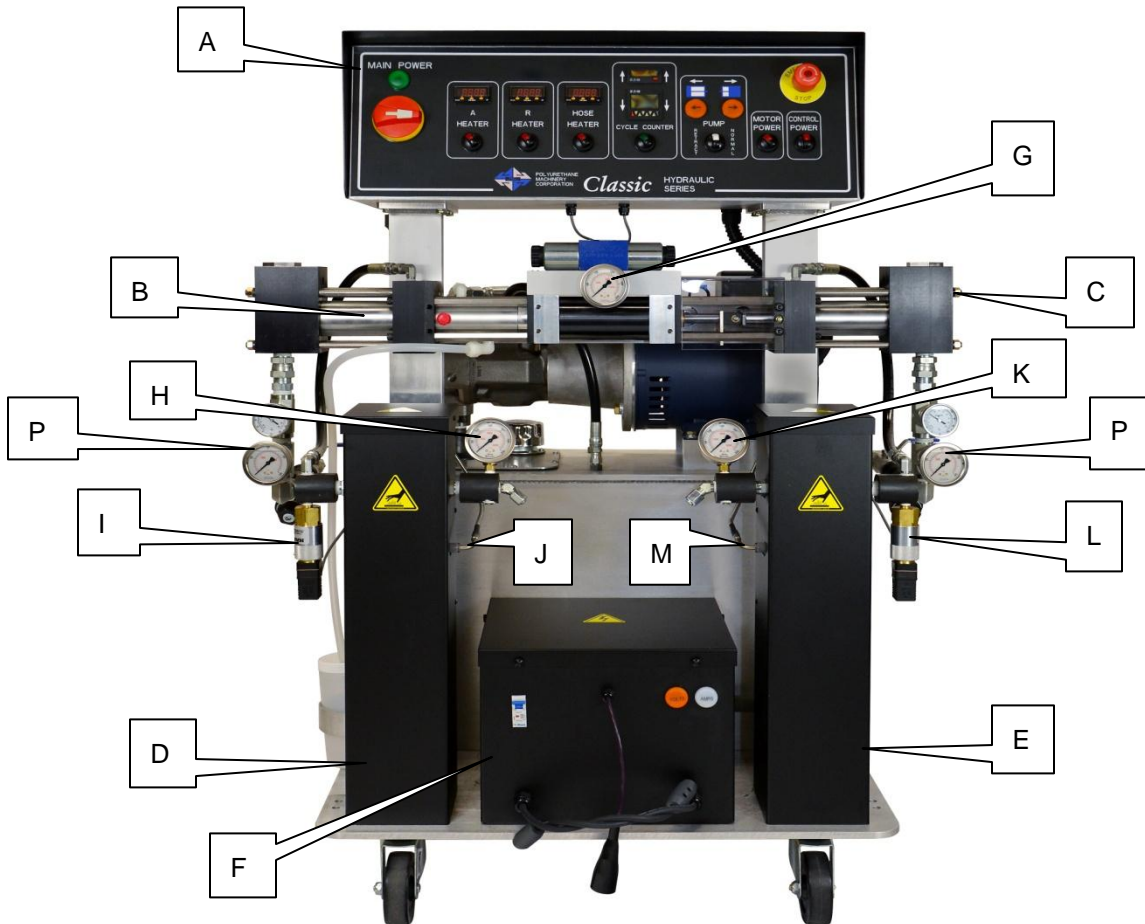
Approximate weight (Hydraulic Tank full @ 20 gal): _____ 594 lbs

Dimensions: _____ 30in W x 26in D x 45in H



Classic PH-40 Manual

DESCRIPTION



Classic PH Proportioner

A. Control Panel

Controls and regulates the operation of the PH Series Proportioner.

B. Isocyanate (Iso, A) Metering Pump

Meters the Isocyanate material.

C. Polyol (Poly, R) Metering Pump

Meters the Polyol material.

D. Isocyanate (Iso, A) Heater

Heats the incoming Isocyanate to a temperature set by the operator.

E. Polyol (Poly, R) Heater

Heats the incoming Polyol to a temperature set by the operator.



Classic PH-40 Manual

F. Hose Heating Transformer

Supplies the required voltage for material Heated Hoses.

G. Hydraulic Pressure Gage

Indicates the pressure in the Hydraulic Drive System.

H. Isocyanate (Iso, A) Pressure Gage

Indicates the pressure in the Isocyanate system.

I. Isocyanate (Iso, A) Safety Pressure Switch

Turns OFF the Directional Valve in the event of excessive pressure in the Isocyanate system.

J. Isocyanate (Iso, A) Thermocouple

Provides temperature information of the Isocyanate to its Temperature Controller.

K. Polyol (Poly, R) Pressure Gage

Indicates the pressure in the Polyol system.

L. Polyol (Poly, R) Safety Pressure Switch

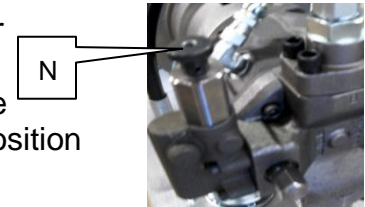
Turns OFF the Directional Valve in the event of excessive pressure in the Polyol system.

M. Polyol (Poly, R) Thermocouple

Provides temperature information of the Polyol to its Temperature Controller.

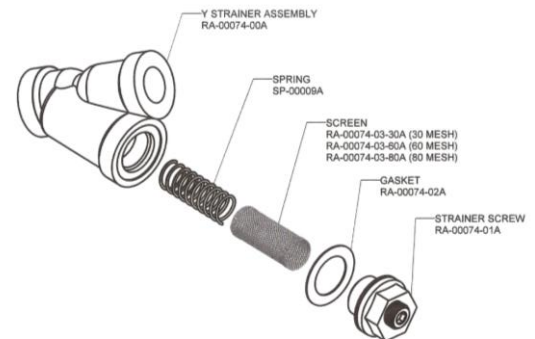
N. Hydraulic Pressure Control

Allows the pressure of the hydraulic system to be increased or decreased. Turn clockwise to increase the pressure and counterclockwise to decrease. To regulate the pressure of the hydraulic system, the NORMAL or RETRACT Pump Switch position must be selected.



O. Inlet Material Strainer (not shown)

Screens (60 mesh) material from bulk supply.



P. Inlet monitoring Kit

Provides temperature and pressure information from the bulk supply.

Kit # KT-05005



Classic PH-40 Manual

DESCRIPTION (cont'd)

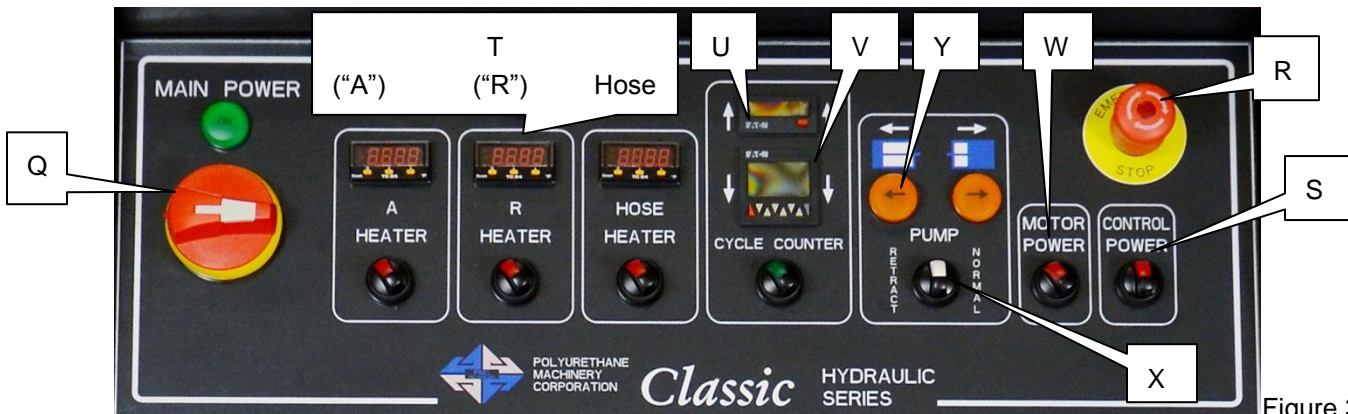


Figure 3

Control Panel

- Q. Main Power** - Turns ON and OFF main power to the control panel. It must be turned ON for any operation to be performed with the unit. When turned ON, the green pilot light will be lit.
- R. Emergency Stop** - Interrupts the PH Series control power circuit to stop all motion and heating.
- S. Control Power** - Turns ON and OFF the control power to the complete electrical circuit including Heaters and Hose Heater.
- T. Heater Temperature Zones, A (Iso), R (Poly), HOSE** - Turns ON and OFF power to the specific Heaters. See page 20 for detailed Temperature Controller instructions.

The Hose Heater Controller automatically controls the Hose Heater only when using the TSU (Temperature Sensing Unit) probe.

- U. TOTALIZER** – Indicates the number of pump cycles to calculate material usage.

PUMP SIZE	CYCLES PER GALLON
120	16
80	24

V. Auto Shut Down Counter

Used to set the amount of cycles required to prevent the chemical drums from running dry, the machine will shut down when the preset cycles expires. There is an on/off switch to either activate this feature or deactivate and not use it.

- W. Motor Switch** - Turns ON and OFF the Electric/Hydraulic Motor. When turned ON the switch will be lit. In the event of an overload of the Motor, pilot light will turn OFF and Motor will stop.



Classic PH-40 Manual

X. Pump Switch

Off - Removes power from the pump circuit. The directional indicator lights will not be lit.

Normal - Activates the normal operation of the machine. When the switch is ON, the directional light corresponding to the stroke direction will light.

Retract - Sets the Piston Rod of the Iso (A) metering pump to the retract position and prevents the crystallization of Iso (A) on the Piston Rod. Turn the switch to RETRACT position every time the unit is stopped by the operator (see Shut-Down, page 23).

Y. Direction Indicator Light - Indicates the direction of movement of the Metering Pumps. If excessive pressure occurs in the system, the pump circuit will be disabled and the directional lights will be OFF.



Classic PH-40 Manual

INSTALLATION

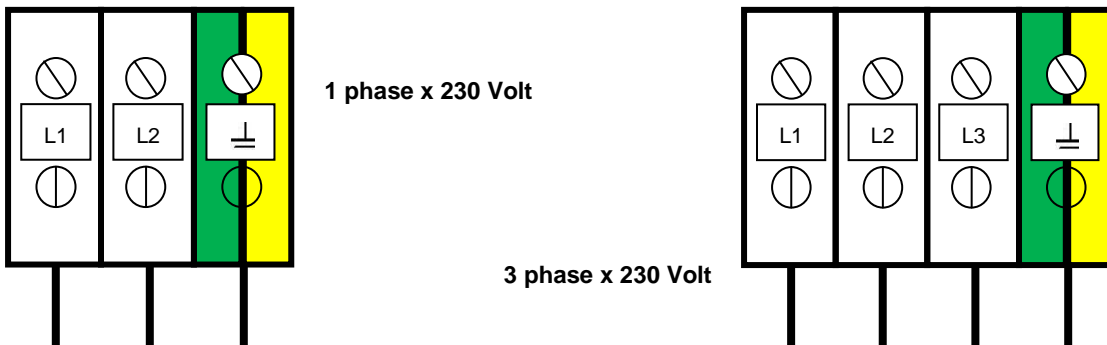
WARNING! Use suitable protection and follow the recommendations in the Safety Information enclosed and provided by material suppliers when installing or working with the Proportioner.



Inside the console is a Terminal Strip for connecting the incoming power cable (not supplied). The electrical connection of the Proportioner must be carried out by a qualified electrician.

NOTE! To ensure the PH Series Proportioner works correctly, the electrical supply must meet the specifications indicated on the Serial Number Placard affixed to the Electrical Console.

CAUTION! Make sure the power cable is disconnected from the main power source before connecting to the Terminal Strip in the Console.



- Follow the recommended procedure in the indicated order to install the Proportioner:
1. Insert the main power cable by passing it through the strain relief at the bottom of the Electrical Console and connect as shown in the above diagram.
 2. Fill the Hydraulic Reservoir with 20 gal of approved hydraulic fluid. See page 49 for specifications.



Hydraulic Fill/Level Indicator

NOTE! Do not fill the tank to maximum capacity; use the Visual Level Indicator [Z] on the tank to make sure the amount of hydraulic fluid is not more than 20 gal or 80% of the tank maximum capacity.

3. Check the level of the hydraulic fluid in the Hydraulic Pump Case: Disconnect the Hydraulic Hose from the 90° fitting and remove the Fitting from Hydraulic Case. Add fluid as required to the top of threaded hole. Reattach Fitting and Hydraulic Hose.



Classic PH-40 Manual

INSTALLATION (cont'd)

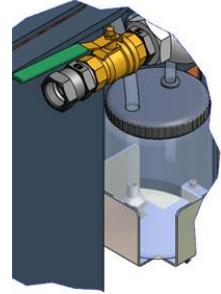
ENSURE THAT THE EMERGENCY STOP IS NOT ENERGIZED

4. **Three-phase Proportioner Only:** Check the Electric Motor to ensure rotation is **clockwise** when viewing the end of the Electric Motor. A counter clockwise rotation indicates two of the incoming power leads need to be reversed.

CAUTION! Ensure Main Power Switch is OFF and incoming power is locked OFF before reversing power leads.

Recheck rotation before proceeding with Installation.

5. Fill the Lube Reservoir with Pump Lube or suitable diluents. It is not necessary to prime the system.



Iso Lube Reservoir

Heated Hose Installation

CAUTION! The material delivery Heated Hoses are color coded Red and Blue allowing the user to recognize them. The Red corresponds to the Isocyanate (Iso, A) and the Blue to the Polyol (Poly, R). To avoid connection errors the Coupling Connections of the Iso (A) and Poly (R) Heated Hoses are also different sizes, which makes it difficult to swap connections.

NOTE! The material delivery Heated Hoses are capped at the ends to prevent absorbing moisture. Do not remove caps until the Heated Hoses are going to be installed on the Proportioner.

1. Lay out all the Heated Hose assemblies end to end aligning the Iso "A" (red) and Poly "R" (blue) and connect the respective Coupling Connections using the appropriate sized open-end wrench after ensuring Heated Hose assemblies lay flat.

CAUTION! Take care to not cross-thread or over-tighten the Coupling Connections. Thread seal tape or compound is not required for this tapered seat Coupling Connections.

2. Connect the material Heated Hoses to the outlets of the respective Heaters i.e. Iso (A) Heated Hose to the Iso (A) Heater and the Poly (R) Heated Hose to the Poly (R) Heater ensuring Heated Hose assemblies lay flat.
3. Connect Air Hose Coupling Connections.



Classic PH-40 Manual

INSTALLATION (cont'd)

Heated Hose Installation (cont'd)

4. Connect the Heated Hose power wires to the “Fast-Lock” Connector coming from the Hose Heat Transformer as follows:
 - a. Loosen the Socket Head Set Screw to allow insertion of the Heated Hose electrical wire Terminal.
 - b. Insert the Terminal into the “Fast-Lock” Connector Body.
 - c. Securely tighten the Socket Head Set Screw.
 - d. Install electrical tape around Connector Body.



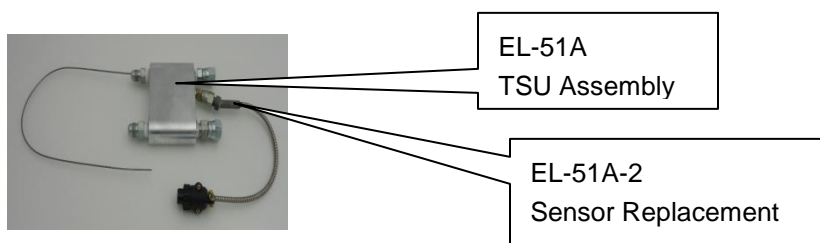
NOTE! A good practice is to add some dielectric grease (Permatex 67VR or equivalent) to the outside of the Terminal prior to insertion.

Repeat the above steps to connect the “Fast-Lock” Connectors that you will find on all Heated Hose power wire.

CAUTION! Ensure the proper mechanical and electrical connections of the Heated Hoses are made to avoid possible material leakage and Hose heat problems.

5. It is recommended the TSU be installed between the last section of Heated Hose and the Gun Whip. Carefully straighten the sensing wire, inserting it in the Iso (A) Heated Hose and tighten fluid fittings with appropriate sized open-end wrenches.

CAUTION! To protect the TSU sensor, you must pay special attention not to kink or excessively bend the Heated Hoses. Do not coil the Heated Hoses with a diameter of less than 4 feet.



CAUTION! Connecting the TSU between the first and second section of Heated Hose results in the TSU sensing the material temperature exiting the Heater and not the inside of the Heated Hose near the Spray Gun.



Classic PH-40 Manual

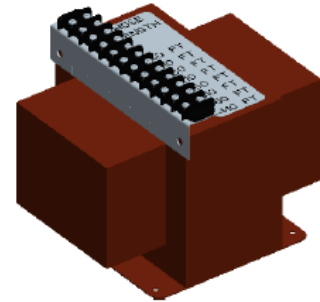
INSTALLATION (cont'd)

Hose Heat Transformer

The Hose Heat Transformer offers the ability of connecting to different output voltages depending on the total length of the Heated Hose in use, maximizing the heating ability of the Heated Hose. The factory setting is 18 volts for use with 60 feet of Heated Hose. Before starting the Proportioner, ensure the setting matches the Heated Hose length installed. If Heated Hose sections are added or removed, the Tap setting should be changed to a setting which will limit the maximum amperage in the Heated Hose to 52 amps. The suggested tap settings are tabled below:

Tap	Length
120v	410'
105v	360'
90v	310'
75v	260'
60v	210'
45v	160'
30v	110'
18v	60'

Hose Heater Transformer



6. Ensure the Manual Valves are CLOSED and connect the Coupling Block to the Heated Gun Whip.

CAUTION! Excessive force closing or opening the Manual Valves may result in damage to the Manual Valves and/or Coupling Block.

7. Connect the Transfer Pump/ Heated Hose Assemblies air supply and air dryer systems as required. Review the Installation Instructions for each to ensure proper set-up and operation.

8. Install the Material Transfer Pumps as follows:

WARNING! If Transfer Pumps have been previously used, pay special attention to connect each Pump to “its” specific material. Inadvertently changing the Transfer Pumps will cause a chemical reaction rendering them useless.





Classic PH-40 Manual

INSTALLATION (cont'd)

NOTE! Placing a tape of the same color as of the Material Delivery Hoses (red for the Iso (A), blue for the Poly (R)) on each Transfer Pump would be a good method for minimizing errors in connection.

- a. Make sure that the Inlet Valves on the Proportioner are closed.
- b. Connect one end of the Polyol (R) Material Delivery Hose ($\frac{3}{4}$ " thread) to the Proportioner Polyol (R) Inlet Valve and the other end to the Polyol (R) Transfer Pump.
- c. Connect one end of the Iso (A) Material Delivery Hose ($\frac{1}{2}$ " thread) to the Proportioner Iso (A) Inlet Valve and the other end to the Iso Transfer Pump.
- d. Connect the air hose to the Transfer Pumps after ensuring each Transfer Pump Shut-Off Valve is CLOSED.

NOTE! To avoid errors in connection, the Coupling connections of the Iso (A) and Poly (R) Material Delivery Hoses are different sizes, making it difficult to swap connections.

- e. Ground the Transfer Pump as recommend by the material supplier. The movement of product inside the Hoses can cause static electricity and produce electrical discharges.



Classic PH-40 Manual

PROPORTIONER PURGING

WARNING! Use suitable Personal Protection Equipment (PPE) and follow the recommendations in the Safety Information provided by product suppliers when installing or working with the unit.

NOTE! Before using the Proportioner it is necessary to purge the entire system, including Heated Hoses of mineral oil and air left over from Quality Control testing. The following procedure is also followed to purge air entrapped by running out of material in the supply Drum/Reservoirs resulting in a significant indicated material pressure imbalance as indicated by the Pressure Gauges and sprayed material.

1. Ensure the following before proceeding:
 - a. Air supply to Transfer Pumps is 90 - 110 psi.
 - b. Proportioner Inlet Valves are CLOSED.
 - c. All connections are tight.
 - d. Material should be stored to the material suppliers' recommended temperatures.
2. Slowly OPEN the Poly (R) Transfer Pump Air Shut-Off Valve allowing Pump to cycle slowly as it fills the Material Delivery Hose to the Proportioner. Check for leaks.
3. OPEN Poly (R) Coupling Block Manual Valve over a waste container.
4. Slowly OPEN Proportioner Poly (R) Inlet Valve allowing the Transfer Pump to move material through the system. When all spitting of air stops and all traces of mineral oil have disappeared, CLOSE Poly (R) Coupling Block Manual Valve. Clean Coupling Block.
5. Repeat steps 2 to 4 for Iso (A) side.

CAUTION! Properly dispose of all waste chemicals in accordance with all applicable local, state and federal codes.

DO NOT turn on the Auto countdown switch.

6. Turn Hydraulic Pressure Control [N, page 10] full COUNTERCLOCKWISE.
7. Turn ON Main Power [Q, page 11]. Green pilot will light.
8. Turn ON Control Power [S, page 11]. Switch will light.
9. Turn ON Motor Power [W, page 11]. Switch will light.
10. Set Pump Switch [X, page 11] to NORMAL. Turn Hydraulic Pressure Control CLOCKWISE (N, page 10) increasing **material pressure** to 400 psi. Both Material Pressure Gauges [H, K, page 9] should read the same.
11. Check all connections for leaks.



Classic PH-40 Manual

12. Bundle all Heated Hose Connections ensuring that there are NO kinks in the TSU Cable or Air Hose. Wrap with Electrical Tape to securely hold all components in place and minimize places for bundle to snag onto job site protrusions.



Classic PH-40 Manual








DIGITAL TEMPERATURE CONTROLLER

The PH Series has three Digital Temperature Controllers to manage the temperatures for the Primary Heaters (Iso (A), Poly (R)) and the Heated Hose. The Hose Heater Controller is programmed different from the Iso (A) and Poly (R) Controllers and therefore not interchangeable with them.

WARNING! Do not turn the Temperature Controllers ON until the Proportioner Purging procedure is complete and the Primary Heaters and Heated Hoses are filled with material.



Temperature Controller

1. Ensure Main Power [Q, page 11] is ON, Control Power [S, page 11] is ON and **01** Display light is lit.
2. Press and release  button. The display will read **SP1**.
3. Press and release  **or**  button to display the **current material temperature set-point**.
4. Press and hold the  **or**  to **increase** or **decrease** the material temperature set-point to the desired value as determined by the material supplier or application conditions.
5. Press and release  **and**  together to display the **actual material temperature** in the Primary Heater/Hose Heater.

WARNING! The Controllers are factory programmed and are not field re-programmable. If a problem is encountered, contact PMC Technical Service. Do not attempt to change any of the programmed parameters. Do not substitute a Controller from an alternate supplier as its use may result in equipment damage and/or bodily injury.

NOTE! The Temperature Controller normally displays the actual material temperature. When lit, the “01” display in the upper left indicates power is being sent to the Heater. The “01” display goes out when the material temperature has reached its set-point. The “01” display will continue to cycle on and off indicating the Controller is maintaining the material temperature set-point.



Classic PH-40 Manual

START-UP

NOTE! Follow the recommended procedures in the order shown.

CAUTION! The Start-up procedures assume that all of steps in Proportioner purging have been performed and no problems found.

1. Check the condition of the PMC pump lube in the Iso (A) Lube Reservoir (page 14). Replace the PMC pump lube if you see significant changes in the color or signs of solidification. Ensure inside of Reservoir is wiped clean.
2. Check the hydraulic fluid level and service as required.
3. Make sure the materials have been stored at the manufacturer's recommended temperature. Ask your material supplier for information (Material Data Sheet) on the minimum storage temperature.
4. Connect air supply to the two Transfer Pumps and ensure Air Valves are in the full OPEN position. OPEN both Proportioner Material Inlet Ball Valves.

CAUTION! Remove all Heated Hose sections from coiled storage and lay flat to eliminate heat build-up and possible Heated Hose failure.

5. Turn ON Main Power [Q page 11].
6. Turn ON Control Power [S, page 11].
7. Turn ON Hose Heater [T, page 11] and confirm material set-point temperature as recommended by the material supplier or application conditions.

CAUTION! To avoid excessive pressure in the Proportioner, wait for the Hose Heater to reach its set-point temperature before continuing.

8. Turn ON each Primary Heater and confirm material set-point temperature as required by the material supplier or application conditions has been reached.
9. Turn ON Motor Power [W, page 11].
10. Set Pump Switch [X, page 11] to NORMAL. One of the Directional Indicator Lights [Y, page 11] will light indicating Metering Pump direction and the Metering Pump Shafts will begin to move.

NOTE!

- a. The Material Pressure Gauges [H, K, page 9] should be approximately equal and remain constant throughout the Metering Pump cycle. If not, refer to Trouble Shooting section.
 - b. Directional Indicator Lights must indicate Metering Pump direction when Pump Switch is in the NORMAL position. If not, refer to Trouble Shooting section.
11. Using the Hydraulic Pressure Control, adjust to the required stall pressure[Ⓢ] and check each Material Pressure Gauge.

Ⓢ Stall pressure: When materials are at recommend application temperature and Metering Pumps are pressurized but not moving. This pressure is normally 100 – 200 psi greater than the developed spray pressure as recommended by the material supplier.



Classic PH-40 Manual

12. AUTO SHUT DOWN COUNTER

If this function is not needed leave it in the off position.

To set the Auto Shut Down Counter:

- Turn the switch to the on position, the green light will illuminate.
- Insert the number of cycles desired to disable the PH machine by pushing in on the white triangles to set the cycle count. Push in on the red button until the data is replicated on the top row, the top row will count down. Figure B

120 pumps 16 cycles = 1 gallon	80 pumps 24 cycles = 1 gallon
--------------------------------	-------------------------------

- When the counter counts down to zero the machine will stop and the pump directional light will be off, push in on the red button to reset. Figure C

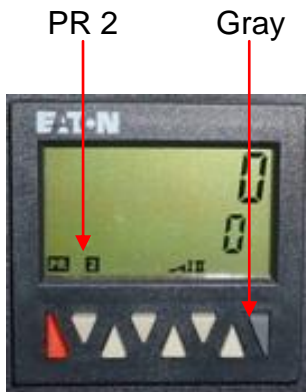


Figure A

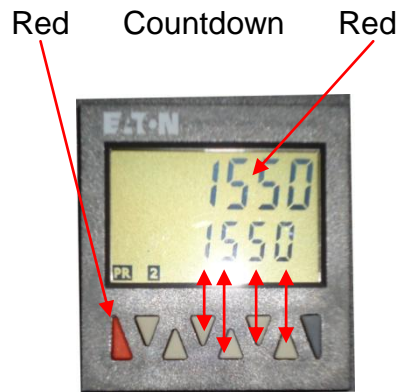


Figure B



Figure C

13. Proceed with Installation and Start-up of the Spray Gun as per the Gun manual.



Classic PH-40 Manual

SHUT-DOWN

Follow the recommended procedure in the indicated order for Proportioner temporary shut-down such as **lunch breaks**.

1. Set Pump Switch [X, page 11] to OFF position.
2. Turn each Heater OFF. Hose Heater should remain ON. Never leave Proportioner ON if unattended.
3. CLOSE Spray Gun Manual Valves.

CAUTION! Excessive force opening or closing the Manual Valves may result in damage to the Manual Valves and/or Coupling Block.

Follow the recommended procedure in the indicated order for Proportioner shut-down when work is **stopped for the day**.

1. Set the Pump Switch [X, page 11] to RETRACT.
2. Spray off the application surface until Material Pressure Gauges [H, K, page 9] readings begin to fall.

CAUTION! To avoid possible Proportioning Pump Seal seepage, and moisture vapor drive into the Heated Hoses, the system pressure should not be reduced to zero. It is recommended to lower the system pressure to a minimum of 400 psi.

3. CLOSE the Spray Gun Coupling Block Manual Valves.

CAUTION! Excessive force opening or closing the Manual Valves may result in damage to the Manual Valves and/or Coupling Block.

4. Turn OFF Motor Power [W, page 11].
5. Turn OFF the A and R Heaters and Hose Heater [T, page 11].
6. Turn OFF the Auto Shut down switch.
7. Turn OFF the Control Power [S, page 11].
8. Turn OFF the Main Power [Q, page 11].
9. Disconnect the air supply to the two Transfer Pumps and CLOSE the Proportioner Material Inlet Valves.



Classic PH-40 Manual

TROUBLESHOOTING

The PH Series Proportioner has been designed and built to withstand severe working conditions with a high degree of reliability, provided that it is used in a suitable application by a properly trained operator. This chapter contains information on possible faults that may interrupt the operation of the PH Series Proportioner. The information provided will serve as a guideline to detect and resolve problems. In any case, feel free to contact the Technical Service group of PMC, where a qualified technician will advise you.

CAUTION! All repairs performed by unqualified personnel or the use of spares other than originals may cause damage to the unit and put the operator at risk.



To prevent possible injury caused by incorrect handling of the raw materials and solvents used in the process, carefully read the safety data sheet provided by your supplier.



Deal with the waste caused according to current regulations.

To avoid damage caused by the impact of pressurized fluids, do not open any connection or perform maintenance work on components subject to pressure until the pressure has been completely eliminated.



Use suitable protection when operating, maintaining or being present in the area where the equipment is functioning. This includes, but is not limited to, the use of protective goggles, gloves, shoes and safety clothing and breathing equipment.



The equipment includes components that reach high temperatures and can cause burns. Hot parts of the equipment must not be handled or touched until they have cooled completely.



To prevent serious injury through crushing or amputation, do not work with the equipment without the safety guards installed on the moving parts. Make sure that all the safety guards are correctly reinstalled at the end of the repair or maintenance work of the equipment.

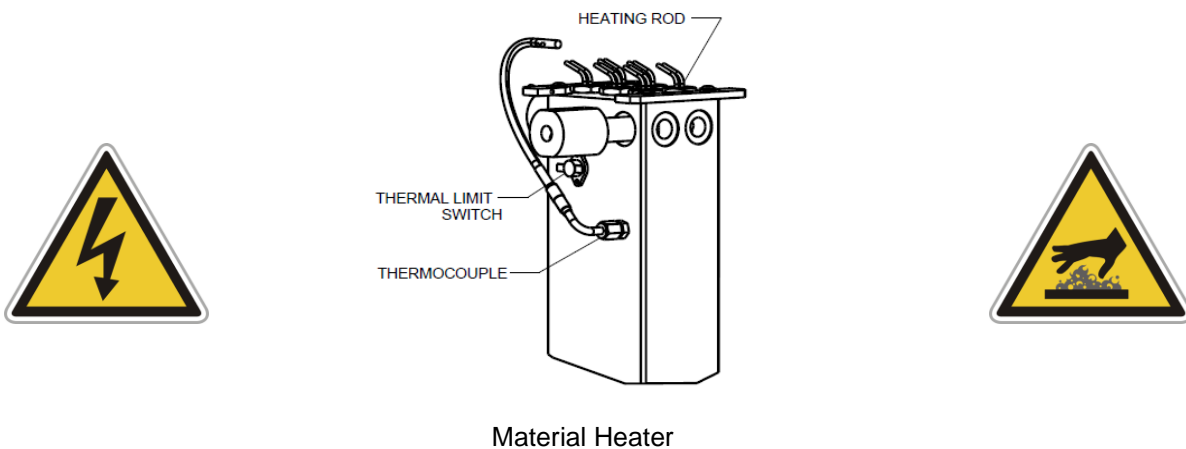


Classic PH-40 Manual

TROUBLESHOOTING

Heaters

WARNING! Before troubleshooting make sure the Main Power Switch is OFF and incoming power is locked OFF. NEVER access the inside of the Control Panel with the Proportioner power supply ON. The Heaters are components that reach high temperatures; you must wait until they cool before handling.



Material Heater

NOTE ! The Thermal Limit Switch is a safety switch in contact with the Heater body. If the surface temperature exceeds 220° F the Limit Switch will shut off the Heater power. The Limit Switch will not re-set until the temperature in the Heater is below 190° F. **The system is designed that in case of an over temperature a contactor will open disabling power to both Heaters and the Hose.**

Follow the recommended procedure in the indicated order to solve the problem and avoid unnecessary repairs. Make sure all Switches are in the correct position and Indicator Lights ON before determining the existence of a fault.



Classic PH-40 Manual

TROUBLESHOOTING

Heaters (cont'd)

PROBLEM

Primary heater does not heat and the display on the controller shows ambient temperature.

SOLUTIONS

1. Check that the light on the on/off switch is lit when the heater is turned on, if not replace the switch.

If the light is on move to the next step.

2. Check the heater breaker in the main console, reset the breaker, if it continues to trip, wrap an Amp Clamp around one of the wires coming off the breaker. If the Amperage reading does not exceed the rating of the breaker, the breaker needs to be replaced. If the breaker draws more than its rating the most likely cause is that one or more of the fire rods is shorted. Remove the heater cover, disconnect the wires and check each rod for resistance. Refer to page 28.

If the breaker is not tripped move on to the next step.

3. Open the console top and locate the solid state relays for the heaters, looking over the console top from the front of the machine. There are two relays to the left bottom of the console, the one to the far left is for the "A" heater and the one to the right is for the "R" heater. With the heater on look to see if a LED light is lit on the relay.

If there is no LED light on the solid state relay move to the next step.

4. With a DC volt meter read across position A1 and A2 on the solid state relay (smaller wires) if you have a reading of 4-6 volts DC and the AC reading across L1 and L2 (Heavy wires) reads 208-230 volts AC replace the solid state relay. With 24 volt DC at A1 and A2 the proper reading should be 1 volt AC across L1 and L2. If the AC reading across L1 and L2 is .025 volts check the over temperature switches in the heaters. A defective over temperature switch will open a contactor disabling both Heaters and the Hose.

If there is no DC voltage to the relay move to the next step.

5. Using a DC volt meter measure across position 5 and 6 on the back of the heater controller this is the output of the controller and sends power to the solid state relay, your reading will be 4-6 volts DC. If there is no reading check to make sure that the set temperature on the controller is above the actual temperature reading on the controller. Before replacing the controller read across position 1 and 2 to make sure that the controller is powered up, your reading will be 208 to 230 volts AC. If no voltage is present check for loose wires or a malfunction of the heater circuit breaker.



Classic PH-40 Manual

TROUBLESHOOTING

Heaters (cont'd)

PROBLEM

Primary heater does not heat and the display on the controller shows a flashing error message SbEr.

SOLUTIONS

1. Check position 9 and 10 on the heater controller for loose wires.

If the wires are tight move to the next step.

2. Remove the heater cover and check that the thermocouple wires are secure to the harness going up to the controller.

If there are no loose connections replace the thermocouple.

PROBLEM

Primary heater controller shows excessive temperature and the circuit has turned off.

CAUTION! The heater must be allowed to cool down before continuing.

SOLUTIONS

1. Set the controller set point at least 20 degrees lower than the temperature shown on the controller. Briefly turn on the heater and look for the LED light on the solid state relay to be on.

If the light is on replace the controller.

If the light is off replace the solid state relay.

PROBLEM

Primary Heater Temperature drops excessively while spraying.

POSSIBLE CAUSE

1. Temperature of the chemical in the containers is too cold.
2. Exceeding the flow rate specification of the machine.

CAUTION! Disconnect power to the machine before proceeding.



Classic PH-40 Manual

TROUBLESHOOTING

3. One or more of the fire rods in the heater have malfunctioned. Remove the heater cover and disconnect the wires to measure the resistance across each rod.
Installing a smaller mixing chamber in the gun may allow you to spray until a new rod(s) is installed.

CAUTION! If the rod that is used in conjunction with the thermocouple is defective do not operate the heater until the rod is replaced.

INDIVIDUAL OHMS MEASUREMENT	
1250 WATT	37 OHMS
1500 WATT	31 OHMS
1750 WATT	27 OHMS

Hydraulic Drive System

Follow the recommended procedure in the indicated order to solve the problem and avoid unnecessary repairs. Make sure all Switches are in the correct position and Indicator Lights ON before determining the existence of a fault.

WARNING! Before correcting any kind of defect, make sure the Main Power Switch is OFF and the incoming power is locked OFF. NEVER access the inside of the Control Panel with the Proportioner power supply ON. The Hydraulic Unit is a component that works under pressure. Do not open any connection or carry out maintenance on components subject to pressure until all pressure has been bled to zero.

CAUTION! Do not attempt to reset the Motor Contactor more than twice. Failure of the Motor Contactor safety mechanism will occur and the Contactor will become inoperable and/or the Motor damaged. The cause of the problem must be determined and corrected.



Classic PH-40 Manual

PROBLEM

Hydraulic Pump does not develop pressure

SOLUTIONS

1. Motor Contactor Safety

The Electric Motor is protected from excessive current by an Overload Safety Switch. After allowing the Motor to cool, open the Control Panel and reset Motor Contactor Safety.



Motor Contactor

PROBLEM

Hydraulic Pump does not develop pressure

SOLUTIONS

1. Hydraulic Power Package

NOTE! Hydraulic pressure is not generated if the Motor Power Switch [W, page 11] is OFF or the Pump Switch [X, page 11] is in the OFF position.

With the Pump Switch in the NORMAL position, the failure of the Hydraulic Pump to develop pressure is loss of pump suction (prime). To ensure positive prime, check the following:

- a) Motor rotation (page 14).
- b) Hydraulic Reservoir is filled to the correct level (page13).
- c) Hydraulic Pump Case is filled with the proper hydraulic fluid (page 49).
- d) Loose Inlet Plumbing: Check that all inlet plumbing to the Hydraulic Pump is tight ensure there is no air leakage into the hydraulic system.



Classic PH-40 Manual

TROUBLESHOOTING

Hydraulic Drive System (cont'd)

PROBLEM

Low or zero hydraulic pressure with unusual Hydraulic Pump noises.

SOLUTION

1. The use of an incorrect hydraulic fluid can result in unusual noises from the pump, excessive wear and moisture absorption. Ensure the hydraulic oil used is from the list on page 49. In addition to the above, continuous excessive hydraulic oil temperature as well as failure to change the hydraulic oil on a yearly basis will cause the oil to fail and result in excessive Hydraulic Pump wear and unusual noises.
2. Loose Inlet Plumbing: Check that all inlet plumbing to Hydraulic Pump is tight ensuring no air leakage into the hydraulic system.

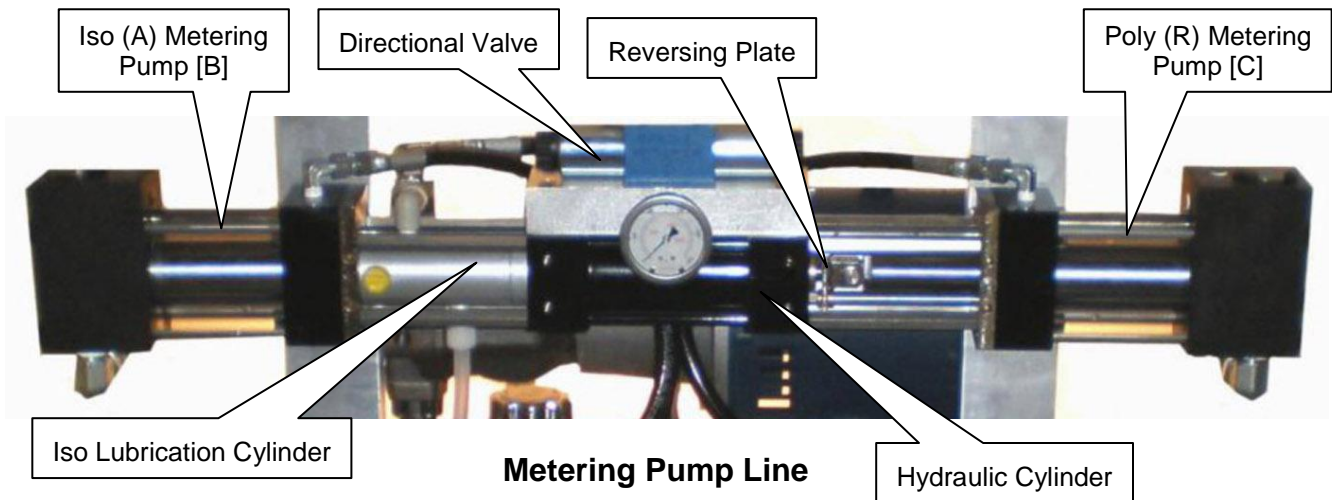
NOTE! Hydraulic Pressure will not be developed in the off position if the pump switch is in the off position or if there is a mal-function in the pump circuit.



Classic PH-40 Manual

TROUBLESHOOTING

Metering Pump Line



Follow the recommended procedures in the indicated order to solve the problem and avoid unnecessary repairs. Make sure all Switches are in the correct position and Indicator Lights ON before determining the existence of a fault.

PROBLEM

Metering pumps do not change direction and the pressures on both of the chemical gauges are lower than normal.

SOLUTIONS

1. The Metering Pump Line has a Reversing Plate which actuates two Prox Switches, one at each end of the stroke. The Prox Switches in turn actuates the appropriate Directional Valve Solenoid.

Failure to make contact with either PROX Switch may be caused by:

- ✓ Deformation of the Reversing Plate.
- ✓ Foreign material preventing the Reversing Plate from contacting the Prox Switches. **If this is not the problem go to the next step**

2. Passing of the Reversing Plate beyond the Prox Switch may be caused by:

- ✓ Failure of the Prox Switch and related components on the side of the over-run.
- ✓ Failure of a component of the Directional Valve.
- ✓ Mounting Plate and/or Prox Switch is out of adjustment.



Classic PH-40 Manual

TROUBLESHOOTING

Metering Pump Line (cont'd)

IF THE DIRECTIONAL INDICATOR LIGHT IS **ON** CHECK THE REVERSING VALVE COIL ON THE SIDE THAT THE LIGHT IS ON. IF YOU HAVE 24 VOLTS DC AT THE PLUG CHECK THE OHM'S RESISTANCE OF THE COIL, IT SHOULD READ APPROXIMATELY 19 OHM's, IF NOT REPLACE THE COIL OR REVERSING VALVE.

IF THE DIRECTIONAL LIGHT IS **OFF** PROCEED BELOW

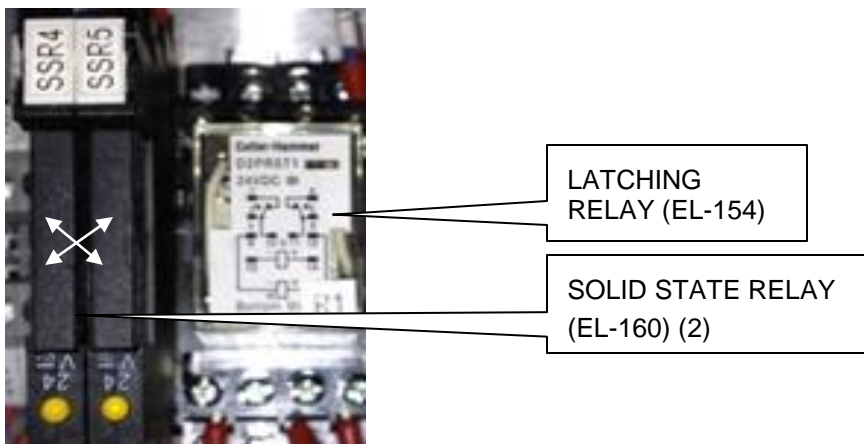
BEFORE TROUBLESHOOTING, THE REVERSING SWITCH PLATE MUST BE MOVED AWAY FROM THE SWITCH.

- Bleed the down the chemical pressures.
- Ensure Pump Switch [X, page 11] is **OFF**.
- Turn on the motor [W, page 11].
- Go to the Directional Valve and locate the Actuation Coils. Located in the middle of each coil is small round tab that can be pushed in to manually shift the spool to move the pumps. If the Reversing plate is all the way to the left push in on the right side coil. If it's all the way to the right side, push in on the left side coil.

THE MOTOR MUST BE OFF AND THE PUMP SWITCH IN THE NORMAL POSITION.

Take a small screw driver or a thin piece of metal and move it across the front of each Prox switch. A red light on the back of the switch should illuminate. If not replace the switch that does not light.

If the Prox switches light up turn off all power and go to the two solid state relays inside the console and interchange them, they can be pulled from their housing. Power up the unit with the pump switch in the normal position and the motor **OFF**. If the directional light comes on replace the defective solid state relay. If not replace the Latching relay.





Classic PH-40 Manual

TROUBLESHOOTING

Metering Pump Line (cont'd)

3. Safety Pressure Switch

Each Metering Pump has a Safety Pressure Switch [I, L, page 9] set to 2,200 psi for #120 pumps, 3,750 psi for #80 pumps. When the material system reaches this pressure, the Safety Pressure Switch will remove power from the Directional Valve and Direction Indicator Lights [Y, page 11]. Lack of Direction Indicator Lights along with high pressure indicated on one or both of the material Pressure Gauges [H, K] is an indication of a over-pressure condition. The Safety Pressure Switches are a momentary design; when the pressure bleeds off the Metering Pump Line will resume normal operation. However, the cause of the over-pressure should be determined and corrected. The three most common causes are:

- a) Cavitation of the Metering Pump on the **low** pressure side causing high pressure on the opposite side.
- b) A restriction in the Spray Gun on the **high** pressure side.
- c) Hydraulic pressure set too high for Spray Gun Mixing Chamber.

4. Pressure/Material Imbalance

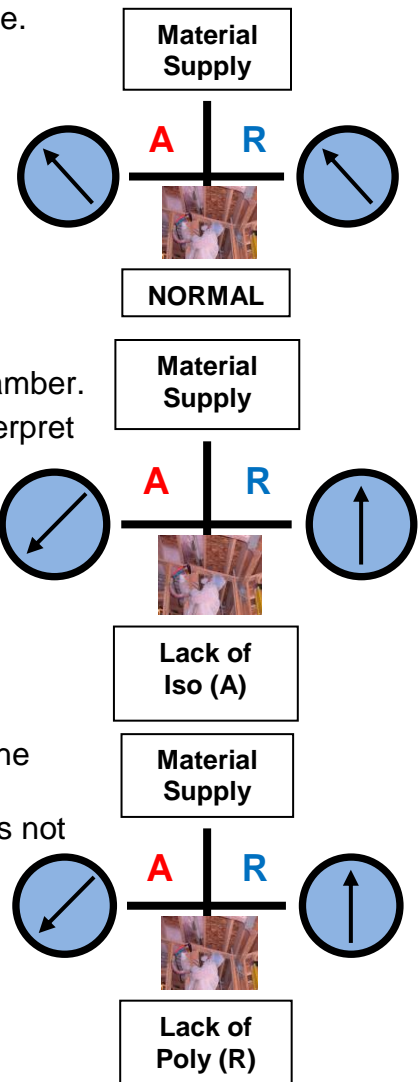
In summary troubleshooting this problem requires the applicator to:

- a) Know what the NORMAL spray pressures are for the application in progress.
- b) Determine what material is NOT exiting the Mixing Chamber.
- c) Read the Pressure Gauge on the problem side and interpret the reading.

In this example a lack of Iso (A) with fluctuating LOW pressure on the Iso (A) side indicates the Metering Pump **is not** developing sufficient pressure or material volume; **Cavitation**.

In this example a lack of Poly (R) with HIGH pressure on the Poly (R) side indicates the Metering Pump **is** developing sufficient pressure; a stoppage after the Pressure Gauge is not allowing the material to exit the Spray Gun.

Check Spray Gun for a blockage.





Classic PH-40 Manual

TROUBLESHOOTING

Metering Pump Line (cont'd)

5. Cavitation

Cavitation occurs when the Metering Pump [B, or C, page 9] requires a larger volume of material than the supply system (Transfer Pump) can furnish. This creates a "void" of material in the Metering Pump. The most common causes of cavitation are:

- a) Material temperature **too low** causing increased material viscosity resulting in the inability of the Transfer Pump to maintain sufficient supply to the Metering Pump. This is most common with today's blown systems. Ensure the **material** temperature in the drums is no lower than the material suppliers' recommendation.
- b) Failure to vent the material drum while drawing material out with the Transfer Pump causes a vacuum and cavitation in the Transfer Pump. Ensure the drum is vented to the atmosphere or a Desiccant Air Dyer Kit is installed as recommended by the material supplier.
- c) Air volume is insufficient for the Transfer Pump or if the Transfer Pump Air Valve is partially closed this will limit the ability of the Transfer Pump to operate at its maximum capability.
- d) Inlet Material Screen [O] obstructed (See **MAINTENANCE** section).
- e) Metering Pump Inlet Ball does not seat properly allowing material to flow back into the Material Delivery Hose when the Metering Pump is on the "Discharge" stroke. This causes the volume of material on that Metering Pump to be less on the discharge stroke resulting in intermittent off-ratio material and Pressure Gauge fluctuation.

6. Pressure Loss: Discharge/Inlet Ball

Simultaneous observation of the material Pressure Gauge [H, K, page 9] and Directional Indicator Light [Y page 11] is necessary to determine which direction the Metering Pump fails to maintain pressure. Refer to the chart to determine the problem:

	Left Directional Indicator Light ON	Right Directional Indicator Light ON
Iso Pressure Gauge FALLS	Iso Inlet Ball does not seat properly	Iso Discharge Ball does not seat properly
Poly Pressure Gauge FALLS	Poly Discharge Ball does not seat properly	Poly Inlet Ball does not seat properly

In most cases the cause of a leaking Inlet/Discharge Ball is foreign material preventing the Ball from seating properly. If the above steps do not resolve the problem, replace the appropriate Ball, Ball Seat, Ball Seat Gasket and the O-ring on the cage.

For service see **MAINTENANCE/Metering Pump Line/page 42.**



Classic PH-40 Manual

TROUBLESHOOTING

Hose Heating

WARNING! Before correcting any kind of defect, make sure the Main Power Switch is OFF and incoming power is locked OFF. NEVER access the inside of the Control Panel with the Proportioner power supply ON. The Heated Hose are components which reach high temperatures; you must wait until they have cooled before handling.

Follow the recommended procedure in the indicated order to solve the problem and avoid unnecessary repairs. Make sure all Switches are in the correct position and Indicator Lights ON before determining the existence of a fault.

CAUTION! All electrical testing must be done by a qualified electrician.

PROBLEM

A- Heated hose does not heat and the display on the controller shows ambient temperature.

SOLUTIONS

1. Check that the light on the on/off switch is lit when the heater is turned on, if not replace the switch.

If the light is on move on to the next step.

2. Check the Hose Heat Breaker in the main console reset the breaker. If it continues to trip wrap an Amp Clamp around one of the wires coming off the breaker. If it does not draw more than the rated value of the breaker, the breaker needs to be replaced.

If the breaker is not tripped move on to the next step.

3. Check the circuit breaker mounted on the transformer, reset the breaker. If it continues to trip wrap an Amp Clamp around one of the wires from the transformer going to the heated hose. If it does not draw more than the rated value of the breaker, the breaker needs to be replaced.

If the AMP draw is less than the rated value move on to the next step.

4. Check that the tap setting on the transformer is set for the proper hose length.

If it is set correctly move to the next step.

5. Look at the two lights located on the front of the transformer. If the voltage light is lit and the AMP light is off the problem could in the heated hoses. If the voltage light is on there is power to the primary side of the transformer. To check the secondary side of the transformer you must take an AC volt reading across the two leads coming out of the transformer that are connected to the "A" and "R" hose leads. If you are reading voltage (your voltage reading will vary depending on what tap setting is used) most likely the problem is in the heated hose. Either a connector has come loose or there is a broken wire.



Classic PH-40 Manual

Hose Heating (cont'd)

Because the gun whip takes the most abuse it is most likely that the whip has failed. Disconnect the crossover wires on the machine end of the whip hose and connect the two wires together coming off the 50' section, turn on the hose heat and see if the hose heat circuit is operating, if so replace the whip. To take a continuity reading through the heated hose one of the leads from the transformer to the "A" or "R" heated hose must be disconnected.

If no voltage is coming out of the transformer to the heated hose move on to the next step.

6. Open the console top and locate the solid state relay for the hose circuit, looking over the console top (front of machine) it is the relay to the right. With the hose turned on and there is a LED light lit on the relay take a volt meter set on DC and measure across position A1 and A2 your reading should be 24 volts, then take an AC volts measurement across position L1 and L2 (heavy wires). With the relay functioning properly you should have a 1 volt reading, if the reading is 18 to 90 volts AC the relay has malfunctioned and needs to be replaced. If the AC Reading across L1 and L2 is .025 volts check the over temperature switches in the heaters. A defective over temperature switch will open a contactor disabling both Heaters and the Hose.

If there is no light on the solid state relay move to the next step.

7. Using a DC volt meter measure across position 5 and 6 on the back of the hose controller, this is the output of the controller and sends power to the solid state relay, your reading will be **4-6 volts DC**. If there is no voltage check to make sure that the set temperature of the controller is above ambient temperature. Before replacing the controller read across position 1 and 2 to make sure that the controller is powered up, your reading will be 208 to 230 volts AC.

PROBLEM

Hose does not heat and the display on the controller shows a flashing error message SbEr.

SOLUTIONS

1. Check position 9 and 10 on the heater controller for loose wires.

If the wires are tight move to the next step.

2. Remove the transformer cover and check that the thermocouple wires are secure to the harness going up to the controller. If there are no loose connections, disconnect the wire from the TSU and connect it directly to the thermocouple harness coming out of the hose transformer.

If the controller still shows the error code replace the hose thermocouple.



Classic PH-40 Manual

TROUBLESHOOTING

Hose Heating (cont'd)

If the error code goes away and temperature is now shown on the display of the controller then all the TSU harnesses from the TSU to the transformer need to be checked for loose connectors or one or more of the harnesses are defective.

PROBLEM

Heated hose controller shows excessive temperature

SOLUTIONS

1. Set the controller set point at least 20 degrees lower than the temperature shown on the controller. Briefly turn on the Hose Heater Switch and look for the LED light on the solid state relay to be on.

If the light is on, replace the controller.

If the light is off, replace the solid state relay.

PROBLEM

Hose will heat but does not come up to set temperature.

SOLUTIONS

1. Check the tap setting on the transformer to ensure that the correct position has been selected for the length of hose being used. Depending on the machines incoming voltage you may have to move the tap setting higher (up one).

CAUTION! Do not exceed the trip value of the transformer hose breaker.

WARNING! Before correcting any kind of defect, make sure the Main Power Switch is OFF and incoming power is locked OFF. NEVER access the inside of the Control Panel with the Proportioner power supply ON.



Classic PH-40 Manual

TROUBLESHOOTING

(cont'd)

NOTE ! IN THE EVENT AN EQUIPMENT PROBLEM CANNOT BE RESOLVED AFTER FOLLOWING THE DETAILED INSTRUCTIONS CONTAINED IN THIS MANUAL, PLEASE IMMEDIATELY CONTACT YOUR PMC AUTHORIZED DISTRIBUTOR AND THEY HAVE DIRECT CONTACT WITH THE PMC TECHNICAL SERVICE DEPARTMENT.

FOR ALL PARTS AND FIELD SERVICE CONTACT YOUR PMC AUTHORIZED DISTRIBUTOR.



Classic PH-40 Manual

MAINTENANCE

To achieve maximum output from the PH Series Proportioner, a daily or regular maintenance schedule is required.



To prevent possible bodily harm caused by incorrect handling of the raw materials and solvents used in the process, carefully read the safety information provided by your supplier.

Deal with the waste created according to current regulations.



Disconnect the unit from the power supply before carrying out any operation inside the electrical console.

The electrical maintenance of the machine must only be performed by a qualified electrician.



To avoid damage caused by the impact of pressurized fluids, do not open any connection or perform maintenance work on components subject to pressure until the pressures have been completely eliminated.



Use suitable protection when operating, maintaining or remaining in the operating area of the unit. This includes, but is not limited to, the use of masks, protective goggles, gloves, shoes and safety clothing.



The unit includes components that reach temperature that are liable to cause burns. The hot parts of the unit must not be handled until they have cooled.



To prevent serious harm by crushing or loss of limbs, do not work with the unit without the safety duly installed on all moving parts. Make sure that all of the safety protections are correctly fitted after all repair or maintenance work.

CAUTION! All repairs performed by unqualified personnel or the use of parts other than supplied by PMC may cause damage to the unit and put the operator at risk.



Classic PH-40 Manual

MAINTENANCE

Inlet Material Screens [O]

Inspection of the Inlet Material Screens on a daily basis is no longer necessary as long as the following conditions are met.

1. Material drums are stored within the recommended material storage temperature range and drums are not opened prior to installing the Proportioner Material Transfer Drum Pumps.
2. Desiccant air dryers are used to dry replacement air as material is removed from the drums to the Proportioner.
3. Consolidation of old material into a common drum for use is minimized especially the Iso (A).

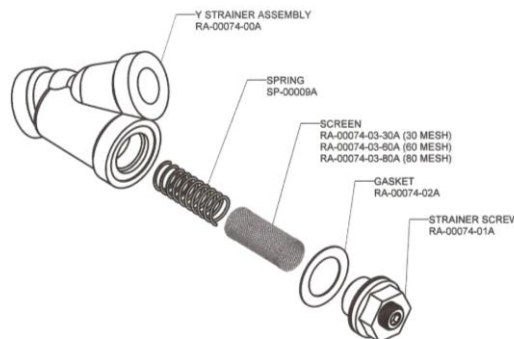
If the above conditions are met, inspection of the Inlet Material Screens may be done on a **bi-weekly** basis.

NOTE! Inspect and clean Inlet Material Screens before Proportioner start-up. They should not be cleaned after the days operation as the Proportioner should be purged (see page 18) immediately after inspection and cleaning. This is to reduce the risk of moisture contamination, contamination through the reaction with the solvent used in the cleaning operation and cross-over at the Spray Gun due to air entrapment.

To check the Inlet Material Screens, proceed as follows:

CAUTION! Make sure the Main Power Switch is OFF and incoming power is locked OFF.

1. CLOSE the Poly (R) Proportioner Inlet Valve.
2. Place a suitable container under the Material Inlet Strainer to collect the residual material. Carefully loosen the Strainer Plug allowing the material to drain into the container.
3. Completely unscrew the Strainer Screw.
4. Remove the Seal, Spring and Screen and clean them with a suitable solvent. Dry the parts and ensure the Screen is not obstructed. Replace the Screen if more than 20% of the Screen surface is obstructed by residue.



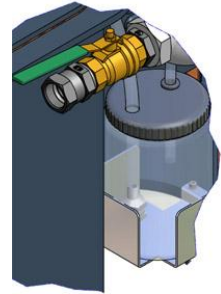


Classic PH-40 Manual

MAINTENANCE

Inlet Material Screens [O] (cont'd)

5. Reinstall the Screen, Spring and Seal. Screw on the Strainer Screw and screw in Plug.
6. OPEN the Poly (R) Proportioner Inlet Valve, pressurize the Material Transfer Pump, check for leaks and wipe Y-strainer clean.
7. Repeat above for the Iso (A) side.
8. Proceed with Proportioner Purging operation (page 18).



Iso Lube Reservoir

Iso Lubrication System

Daily: Check the condition of the PMC Lube Oil in the Iso Lube Reservoir. Replace the PMC Lube Oil if you see significant changes in the color or signs of solidification. Ensure inside of Reservoir is wiped clean.

To replace the Lube Oil, proceed as follows:

1. Remove the Lube Reservoir from its support, unscrew the Lid and remove the Check Valve from the Suction Hose.
2. Empty the contaminated Lube Oil in a waste container and refit the Check Valve in the Suction Hose.
3. Clean the Reservoir, refill with Lube Oil, and screw on the Lid and place the Reservoir in its support.

The system is auto-suction and does not need priming.

Hydraulic Drive System

WARNING! Before performing any maintenance, make sure the Main Power Switch is OFF and incoming power is locked OFF. The Hydraulic Unit is a component that works under pressure. Do not open any connection or carry out maintenance on components subject to pressure until all press has been bled to zero.

The hydraulic unit should be serviced **yearly**:

1. Completely drain the Tank of hydraulic fluid.
2. Clean the Tank Top to prevent foreign material from falling into the Tank when the Lid is removed.
3. Unscrew the Suction Pipe from its connection with the Hydraulic Pump.
4. Remove the Lid and Suction Pipe from the Hydraulic Tank. Take care not to damage Tank Lid Gasket.



Classic PH-40 Manual

MAINTENANCE

Hydraulic Drive System (cont'd)

5. Inspect the bottom of the Tank for sediment and clean as required. Clean the Suction Pipe and its connections.
6. Insert the Suction Pipe into the Tank and replace the Lid. Again, take care not to damage Tank Lid Gasket. Connect the Suction Pipe securely to the Hydraulic Pump.
7. Fill the Tank with 20 gal of approved hydraulic fluid. See page 49 for recommendations.
8. Ensure the Hydraulic Pump Case is full of fluid (Installation, page 13) and proceed with the normal operation.

Metering Pump Line

WARNING! Before performing any maintenance, make sure the Main Power Switch is OFF and incoming power is locked OFF. Allow material temperature to cool below 80°F and bleed all material pressure to zero.



Weekly: When the Proportioning Pumps are functioning properly it is not unusual for a small amount of Poly (R) material to appear on the Pump Shaft. This material should be wiped away so dirt does not accumulate on the Pump Shaft and the Pump Shaft Packings are not damaged.



Yearly or as required: Assuming the Iso (A) and Poly (R) is free from contaminants, the maintenance of the Iso Lube Reservoir (page 41) is performed, and the maintenance of the Poly (R) Pump Shaft (above) is followed, the Proportioning Pumps will perform for many maintenance free cycles. However, it is not unusual for those who use the PH Series Proportioner on a regular basis to rebuild the Proportioning Pumps on a yearly basis and service the Hydraulic Drive System at the same time, when the Proportioner is out of service.

Pump Base Service

To service Discharge/Inlet Ball

1. CLOSE appropriate Proportioner Inlet Material Supply Valve and remove Air Line from Transfer Pump.
2. Ensure all material pressure in the Proportioner system is zero and remove appropriate Retainer Nut.
3. For **Inlet Ball:**
 - a) Remove Inlet Ball with a Magnet (DO NOT USE ANY SHARP OBJECTS), clean Ball and Ball Seat, and inspect for foreign material and any flat spots on Ball.
 - b) Using supplied Ball Seat Tool (TL-02), check for proper Ball Seat/Ball Seat Gasket compression. Snug Seat up to ¼ turn **Maximum.**



Pump Base



Classic PH-40 Manual

MAINTENANCE

Metering Pump Line (cont'd)

Pump Base Service

4. For **Discharge Ball**:
 - a) Perform step 1 & 2 from above.
 - b) Remove Cage and Spring.
 - c) Remove Discharge Ball with a Magnet, clean Ball and Ball Seat, and inspect for foreign material and any flat spots on Ball.
 - d) Using supplied Ball Seat Tool (TL-02), check for proper Ball Seat/Ball Seat Gasket compression. Snug Seat up to $\frac{1}{4}$ turn **maximum**.

Pump Seal Replacement

Refer to Parts Identification Drawing for reference.

NOTE!

- ✓ When the Iso (A) Proportioning Pump Cylinder is disassembled for service, all parts included in the Seal Kit (KT-05001-120 or KT-05001-080) should be replaced.
- ✓ When the Poly (R) Proportioning Pump Cylinder is disassembled for service, all parts included in the Seal Kit (KT-05002-120 or KT-05002-080) should be replaced.
- ✓ When assembling Proportioning Pump lubricate all Seals, Piston Rod and Pump Cylinder with #1 Lithium Grease to assist in assembly and minimize Seal damage during re-assembly.
- ✓ When the Pump Line End Block is disassembled for service, all O-rings included in the O-ring Kit (KT-05009) should be replaced.
- ✓ After reassembly of the Proportioning Pumps torque the Assembly Bolts to 30 ft/lbs.

CAUTION! Use wooden or plastic tools or a brass brush for cleaning. Do not use metal or abrasive tools that can scratch the contact surfaces.



Classic PH-40 Manual

MAINTENANCE

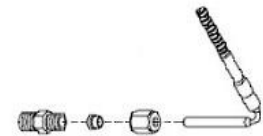
Material Heater

WARNING! Before performing any maintenance, make sure the Main Power Switch is OFF and incoming power is locked OFF. NEVER access the inside of the Control Panel with the Proportioner power supply ON. The Heaters are components that reach high temperatures; you must wait until they have cooled before handling and bleed all material pressure to zero.



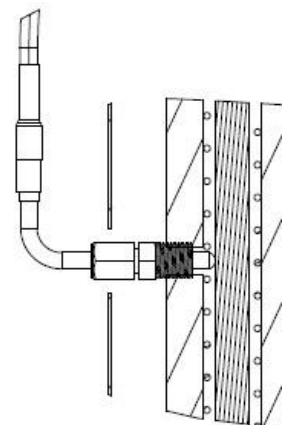
Thermocouple Replacement

NOTE! The Thermocouple is assembled into the Connector Body with a Ferrule and Nut. Once inserted into the Body and the Nut is tightened, the Ferrule locks to the Thermocouple and does not allow it to be relocated or moved. The location of the Thermocouple is very important and must be done correctly before tightening the Nut.



Thermocouple Assembly

1. Unscrew the Nut that holds the defective Thermocouple and remove from the Body. Disconnect Thermocouple wiring located under the Top Cover of the Heater. Remove Body and discard.
2. Install Connector Body into Heater using an open-end wrench and tighten to prevent leakage. Teflon Tape or appropriate Thread Sealant should be used.
3. Slide the Nut and the Ferrule over the Thermocouple and insert this assembly into the Connector Body until it comes into **positive physical contact** with the Heating Rod. Make sure the Spring does not prevent the Thermocouple from making contact with the Heating Rod.
4. Slowly tighten the Nut using an open-end wrench, ensuring the Thermocouple maintains positive physical contact with the Heating Rod.
5. Reinstall the Thermocouple wires.



Thermocouple Positive Contact



Classic PH-40 Manual

MAINTENANCE

Material Heater (cont'd)

WARNING! Before performing any maintenance, make sure the Main Power Switch is OFF and incoming power is locked OFF. NEVER access the inside of the Control Panel with the Proportioner power supply ON. The Heaters are components that reach high temperatures; you must wait until they have cooled before handling and bleed all material pressure to zero.



Heating Rod

To replace defect Heating Rod proceed as follows:

1. Ensure Main Power Switch is OFF and incoming power is locked OFF. Depressurize the proportioner and remove the Cover from the Heater.

WARNING! If the Heating Rod to be replaced is the one in contact with the Thermocouple, it is necessary to remove the Thermocouple first (see page 44). Do not loosen or tighten Thermocouple Body.

2. Disconnect the suspect Heating Rod from the wire connections and test Heating Rod for proper electrical resistance.

INDIVIDUAL OHMS MEASUREMENT	
1250 WATT	37 OHMS
1500 WATT	31 OHMS
1750 WATT	27 OHMS

3. Unscrew the Heating Rod and remove from the Heater Block along with its Spring and inspect; it must be smooth and shiny in appearance. If it is blackened or has material adhered to it replace the Heating Rod even if ohm reading is acceptable.
4. Apply Teflon Tape or appropriate Thread Sealant to the Heating Rod thread and assemble Heating Rod and Spring into the Heater Block. Tighten securely to 110 ft/lbs.
5. If necessary carefully re-install Thermocouple ensuring **positive physical contact** with the Heating Rod. Make sure the Spring does not prevent the Thermocouple from making contact with the Heating Rod. Tighten Nut with open-end wrench.
6. Reconnect wire connections and reinstall Heater Cover.
7. Ensure Heater is full of material prior to electrical testing.



Classic PH-40 Manual

REPLACEMENT KITS

120 Iso Pump Rebuild Kit, KT-05001-120

P/N	Description	QTY
OR-00011A	O-ring	2
OR-00020A	O-ring	2
OR-00044A	O-ring	1
OR-00046A	O-ring	2
PU-01002-B12	Cylinder Bearing	1
PU-01013A	Flange Gasket	1
PU-01014A-012	Piston Support Washer	1
PU-01015A-012	Piston Seal Wiper	1
PU-01016A-012	Piston Seal	1
PU-01017A-012	Cylinder Seal	1
PU-05029	Pin	1

120 Resin Pump Rebuild Kit, KT-05002-120

P/N	Description	QTY
OR-00011A	O-ring	2
OR-00046A	O-ring	2
PU-01002-B12	Cylinder Bearing	1
PU-01013A	Flange Gasket	1
PU-01014A-012	Piston Support Washer	1
PU-01015A-012	Piston Seal Wiper	1
PU-01016A-012	Piston Seal	1
PU-01017A-012	Cylinder Seal	1
PU-05029	Pin	1

80 Iso Pump Rebuild Kit, KT-05001-080

P/N	Description	QTY
OR-00011A	O-ring	2
OR-00020A	O-ring	2
OR-00044A	O-ring	1
OR-00046A	O-ring	2
PU-01001-B08	Cylinder Bearing	1
PU-01013A	Flange Gasket	1
PU-01014A-008	Piston Support Washer	1
PU-01015A-008	Piston Seal Wiper	1
PU-01016A-008	Piston Seal	1
PU-01017A-008	Cylinder Seal	1
PU-05029	Pin	1



Classic PH-40 Manual

REPLACEMENT KITS

80 Resin Pump Rebuild Kit, KT-05002-080

P/N	Description	QTY
OR-00011A	O-ring	2
OR-00046A	O-ring	2
PU-01002-B08	Cylinder Bearing	1
PU-01013A	Flange Gasket	1
PU-01014A-008	Piston Support Washer	1
PU-01015A-008	Piston Seal Wiper	1
PU-01016A-008	Piston Seal	1
PU-01017A-008	Cylinder Seal	1
PU-05029	Pin	1

Hydraulic Cylinder Rebuild Kit, KT-05025

P/N	Description	QTY
HI-05025-1	U-Cup	2
HI-05025-2	Back-up Ring, Piston	2
HI-05025-3	Wear Ring	1
HI-05025-4	Rod Wiper	2
HI-05025-5	Shaft Seal	2
HI-05025-6	Back-up Ring, Bushing	2
OR-00019A	O-ring	2
OR-00039A	O-ring	2
OR-00040A	O-ring	2

Proportioning Pump Line O-ring Kit, KT-05009

P/N	Description	QTY
OR-00011A	O-ring	4
OR-00046A	O-ring	4
OR-00045A	O-ring	4
PU-01013A	Gasket	2
OR-00044A	O-ring	1
OR-00020A	O-ring	2



Classic PH-40 Manual

REPLACEMENT KITS

Bleed System, KT-05003

P/N	Description	QTY
GP-00100-1	Nipple	2
GP-00100-2	Ball Valve, 5,000psi	2
GP-00100-4	Pipe Plug	2

Iso Lube Reservoir/Hose Kit, KT-05004

P/N	Description	QTY
RA-00068A	Check Valve	1
TN-04196	Hose Clamp	1
MQ-01009-01A	Reservoir Bottle	1
MQ-01009-02A	Reservoir Bottle Lid	2
MA-00024A	Return Tubing	1
MA-00025A	Supply Tubing	2

Heater Thermocouple Kit, KT-05021

P/N	Description	QTY
HI-05020	Body, Nut, Ferrule	1
HI-05021	Thermocouple	1



Classic PH-40 Manual

HYDRAULIC OIL SPECIFICATIONS

Recommended Hydraulic Oil Specification:

ISO/ASTM Viscosity Grade 32

Viscosity: 28.8 – 35.2 SSU@ 104° F

Rust and Oxidation Inhibited

Manufacturers:

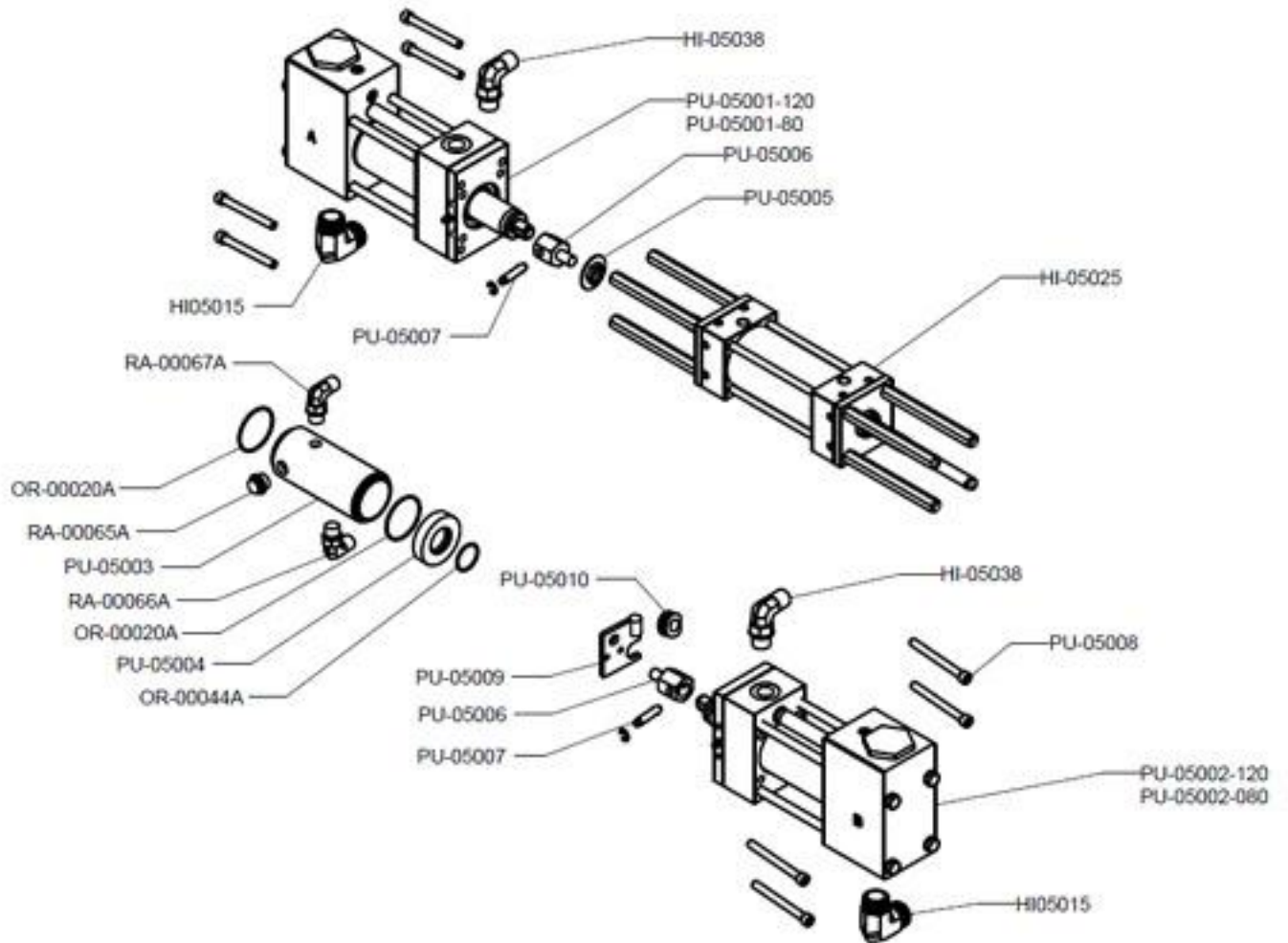
Mobil DTE24*	American Oil & Supply – PQ Iso 32	Fiske Bros. – Lubriplate Hyd. #0
Cook's Albavis 8	Gulf Oil – Harmony 32AW (43AW)	SW – Alemite Hydraulic HD#0
Ashland-Valvoline AW15	Atlantic Richfield – Duro AWS-150	Texaco – Rando HD32 (HD A0)
Shell - Tellus 32(25)	BP Oil – Energol HLP-C32	White & Bagley – EP Hyd. 150
Sun Oil - Sunvis 706	Exxon – Nuto H-32(44)	
Chevron ISO32	A. Margolis – T.I.P.100-15-7	

* Preferred



Classic PH-40 Manual

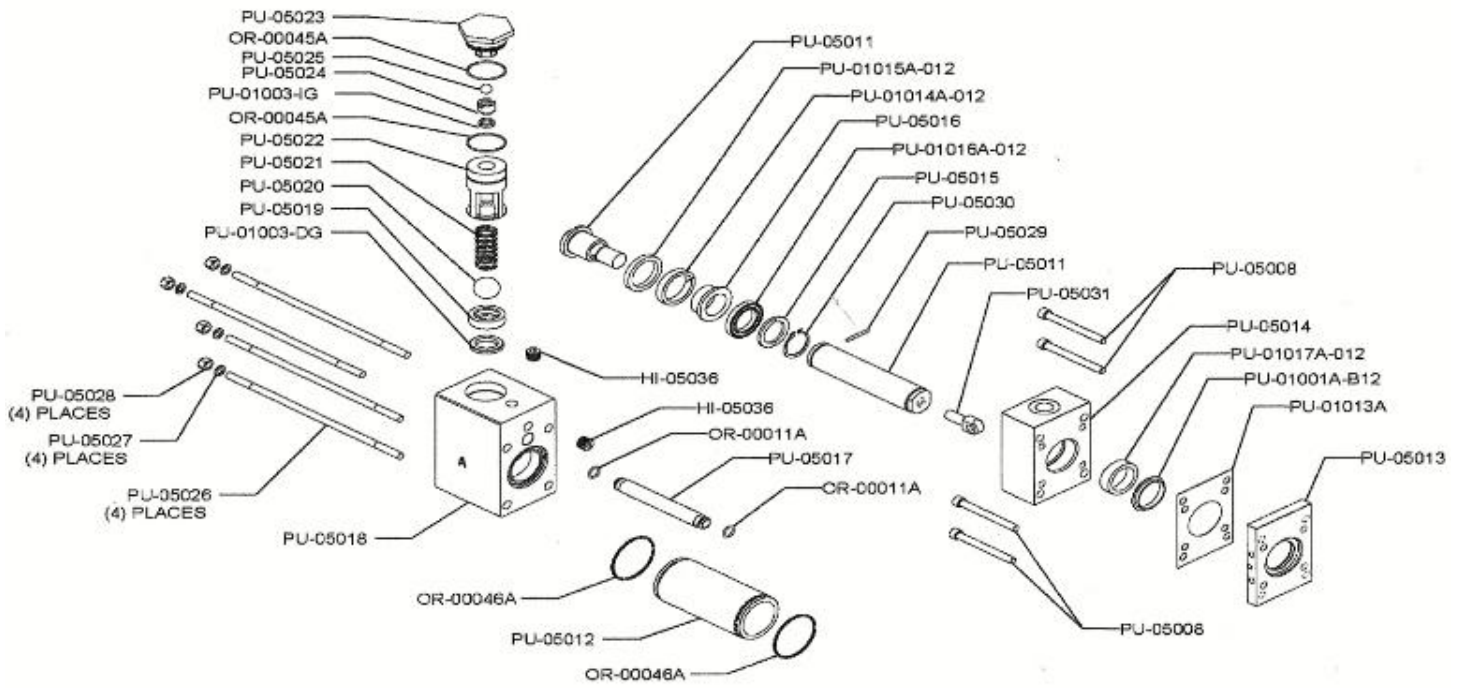
PUMP LINE ASSEMBLY





Classic PH-40 Manual

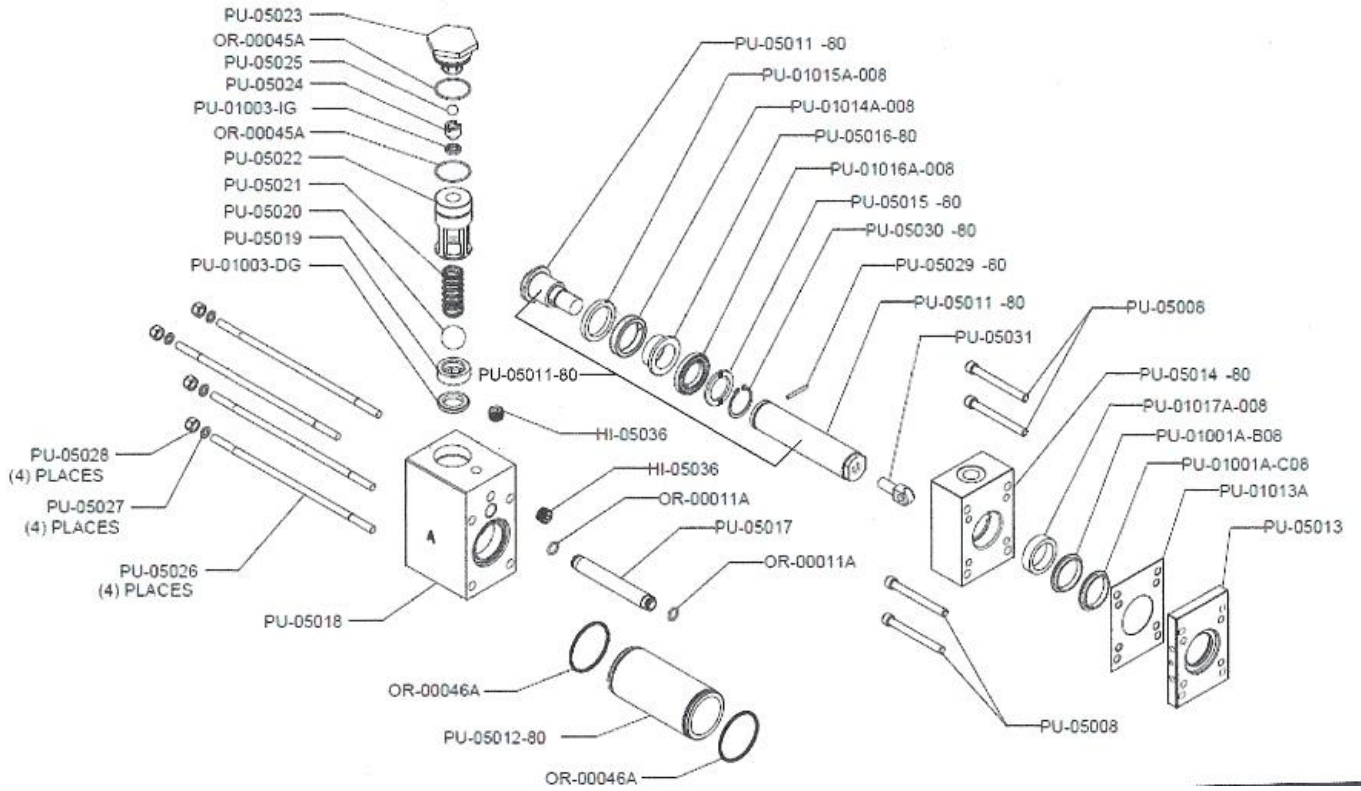
ISO (A) PUMP LINE -120





Classic PH-40 Manual

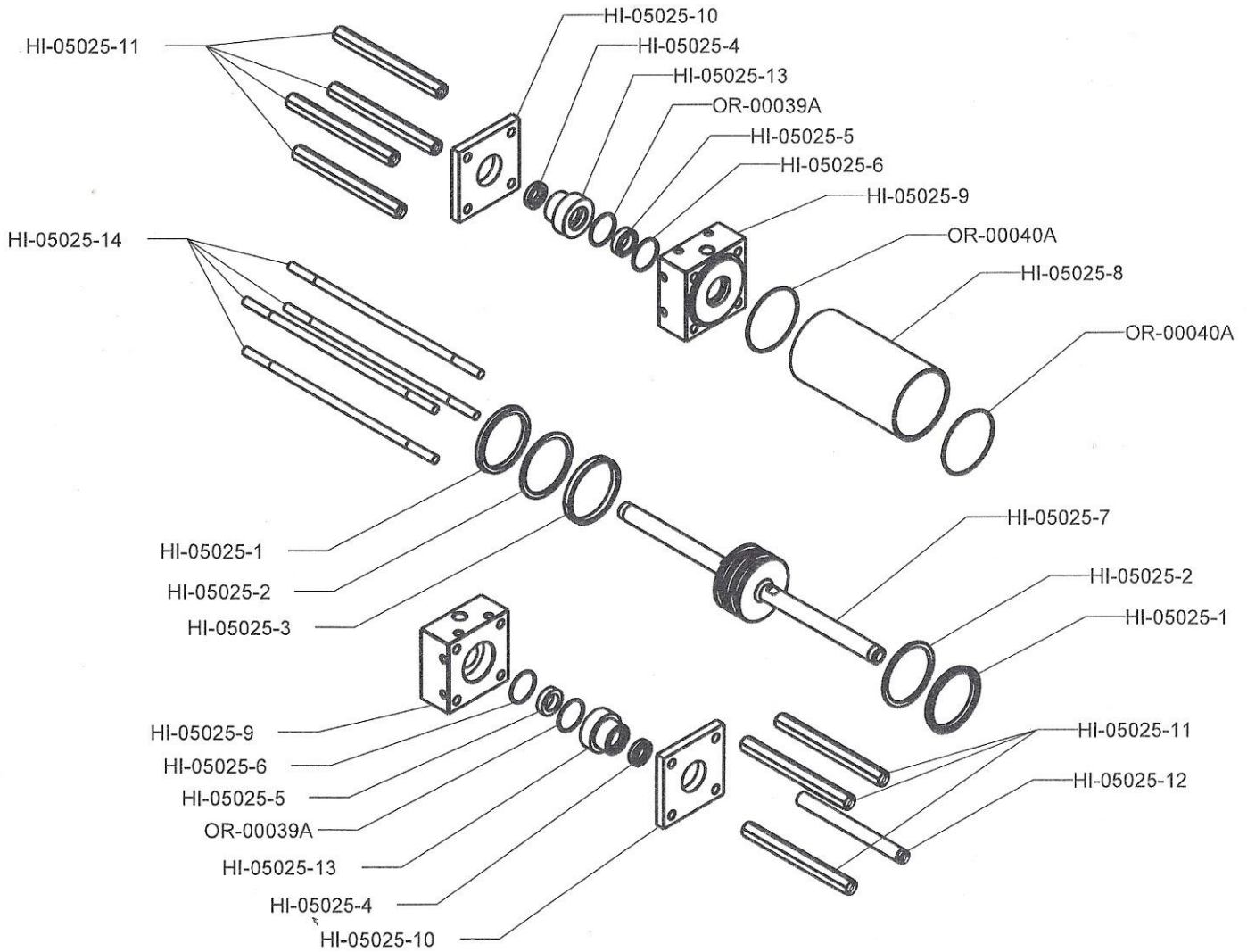
ISO (A) PUMP LINE -80





Classic PH-40 Manual

HYDRAULIC CYLINDER





Classic PH-40 Manual

HOSE TRANSFORMER PARTS

PART NUMBER	DESCRIPTION	QTY
EL-05226	TRANSFORMER, 120 VOLTS	1
RM-13-1712B	TERMINAL STRIP	1
RM-05700-25	TRANSFORMER SIDE COVER	1
RM-05700-26	TRANSFORMER TOP COVER	1
EL-150	BREAKER, 63 AMPS	1
EL-00118A-00-1	BREAKER MOUNT	1
EL-05235	THERMOCOUPLE HARNESS	1
RM-00019	#6 WIRE	2 x 3 FEET
KT-00029A	HOSE CONNECTOR	2
EL-000P7	STRAIN RELIEF, SMALL	1
EL-000P12	STRAIN RELIEF, LARGE	2
EL-05230-01	3/4 FLEXIBLE CONDUIT	2 FEET
EL-05230-02	CONDUIT CONNECTOR, STRAIGHT	1
EL-05230-03	CONDUIT CONNECTOR, 90 DEGREE	1

Inlet Monitoring Kit Part # KT-05005

P/N	Description	QTY
HI-05016	3/4 MPT x 3/4 FPT SW	2
HI-05017	3/4 MPT Hex Nipple	2
HI-05051	Parker Pipe Fit Male Run Tee M	2
HI-05052	Parker Pipe Fit Female Pipe Tee	2
HI-05053	Parker Pipe Fit Pipe Thread	4
HI-05054	Pressure Gauge 0-400 psi	2
HI-05055	Temp Gauge 0-200 Deg F/C	2



Classic PH-40 Manual

HEATER PARTS

PART NUMBER	DESCRIPTION	QTY
PH-5	COMPLETE "A" SIDE HEATER 7500 W (7.5 KW)	1
PH-6	COMPLETE "R" SIDE HEATER 7500 W (7.5 KW)	1
PH-7	COMPLETE "A" SIDE HEATER 9000 W (9 KW)	1
PH-8	COMPLETE "R" SIDE HEATER 9000 W (9 KW)	1
PH-9	COMPLETE "A" SIDE HEATER 10,500 W (21 KW)	1
PH-10	COMPLETE "R" SIDE HEATER 10,500 W (21 KW)	1
GM-005423-1	HEATER BODY	1
GM-06424-2	PHENOLIC WASHER	4
GM-05423-1250	HEATER CARTRIDGE, 1250 W	6
GM-05423-1500	HEATER CARTRIDGE, 1500 W	6
GM-05423-1750	HEATER CARTRIDGE, 1750 W	6
GM-05423-7	SPRING	6
KT-05020	THERMOCOUPLE KIT	1
HI-05034	1 1/16-12 O-RING PLUG	6
EL-00006A	OVER TEMP SWITCH	1
HI-05036	1/4" PIPE PLUG	3
HI-05026	OUTLET HEATER FITTING "R"	1
HI-05027	OUTLET HEATER FITTING "A"	1
HI-05046	MANIFOLD	2
HI-05032	1/2" HEX PIPE NIPPLE	2
HI-05033	3/4-16 O-RING PLUG	3
HI-05028	GAUGE, 0-3000 PSI (PH)	1
HI-00035	GAUGE, 0-5000 PSI (PHX)	1
EL-42-2200	PRESSURE SWITCH 2200 PSI (PH)	1
EL-42-3750	PRESSURE SWITCH 3750 PSI (PHX)	1
GM-05423-9	PHENOLIC STANDOFF, FRONT TOP/BOTTOM	2
GM-05423-10	PHENOLIC STANDOFF, BACK TOP/BOTTOM	2
CL-02001-05A	HEATER COVER, BACK "A" HEATER	1
CL-02001-06A	HEATER COVER, SIDE "A" HEATER	1
CL-02001-07A	HEATER COVER, TOP "A" & "R"	1
CL-02002-05A	HEATER COVER, BACK "R" HEATER	1
CL-02002-06A	HEATER COVER, BACK "R" HEATER	1



Classic PH-40 Manual

MOTOR LINE PARTS

PART NUMBER	DESCRIPTION	QTY
EL-05223	ELECTRIC MOTOR, 5HP, 3 PHASE, 50/60HZ	1
EL-05222	ELECTRIC MOTOR, 5HP, 1 PHASE, 50/60HZ	1
HI-05001	BELL HOUSING	1
HI-00067	MAGNALOY INSERT	1
HI-00065-02	MAGNALOY HUB, 1-1/8 x 1/4	1
HI-00065-03	MAGNALOY HUB, 3/4 x 3/16	1
HI-05004	HYDRAULIC PUMP, 18CC	1
HI-05007	FITTING, 9/16-18 O ring x 9/16-18 JIC	1
HI-05008	FITTING, 1 1/16 O ring x 3/4-16 JIC	1
HI-05009	HYDRAULIC PUMP OUTLET FLANGE	1
HI-05010	HYDRAULIC PUMP INLET FLANGE	1
HI-05004-1	HYDRAULIC PUMP CONTROL KNOB	1
HI-00049A	HYDRAULIC PUMP INLET PIPE	1
HI-00005-03	ACCESS COVER	1

HYDRAULIC TANK PARTS

PART NUMBER	DESCRIPTION	QTY
RM-05700-11	TANK LID	1
HI-00014-03A	GASKET, TANK TOP	1
TN-05704	CASTERS	4
RM-05700-15	MOTOR MOUNT BARS	2
HI-00047A	FILL STRAINER W/CAP	1
HI-00002-A	GROMMET, TANK TOP	1
HI-00001A	SIGHT GAUGE	1
HI-05041	CASE DRAIN RETURN TUBE 3/8	1
HI-05042	CASE DRAIN RETURN TUBE 1/2	1
HI-05048	DRAIN PLUG	1
HI-05013	HYDRAULIC TANK RETURN HOSE 1/2	1
HI-05014	HYDRAULIC PUMP OUTPUT HOSE 1/2	1
HI-05052A	HYDRAULIC PUMP DRAIN HOSE 3/8	1



Classic PH-40 Manual

Y-STRAINER PARTS

PART NUMBER	DESCRIPTION	QTY
YS-1	Y-STRAINER ASSY, A SIDE	1
YS-2	Y-STRAINER ASSY, R SIDE	1
RA-00074-00A	Y-STRAINER	1
RA-00078A	BALL VALVE 3/4"	1
HI-05015	3/4 NPT ELBOW	1
HI-05016	3/4 " X 3/4" SWIVEL FITTING "R" SIDE	1
HI-05017	3/4" HEX NIPPLE	1
HI-05018	3/4 " X 1/2" SWIVEL FITTING "A" SIDE	1
SP-00009A	REPLACEMENT SPRING	1
RA-00074-02A	REPLACEMENT GASKET	1
RA-00074-03-80A	REPLACEMENT SCREEN, 80 MESH	1
RA-00074-03-60A	REPLACEMENT SCREEN, 60 MESH	1
RA-00074-03-30A	REPLACEMENT SCREEN, 30 MESH	1

REVERSING SWITCH PARTS

PART NUMBER	DESCRIPTION	QTY
EL-153	PROX SWITCH	2
MQ-01006A	COVER	1
MQ-01005A	HOUSING	1



Classic PH-40 Manual

HOSES and REPLACEMENTS

PART NUMBER	DESCRIPTION	QTY
MA-00014A	3/8 x 50' LOW PRESSURE HOSE,2250 psi	1
MA-00014-TC	3/8 x 50' LOW PRESSURE HOSE,2250 psi W/TC WIRE	1
MA-00040A	1/4 x 10" GUN HOSE ASSY W/SCUFF JACKET 3500psi	1
MA-00039A	3/8 x 50' HIGH PRESSURE HOSE,3500 psi	1
MA-00039A-TC	3/8 x 50' HIGH PRESSURE HOSE,3500 psi W/TC WIRE	1
MA-00014A-TC-35	3/8 x 35' LOW PRESSURE HOSE,2250 psi W/TC WIRE	1
MA-00039A-TC-35	3/8 x 35' HIGH PRESSURE HOSE,3500 psi W/TC WIRE	1
MA-00014A-A-50	3/8 x 50' "A" SIDE LOW PRESSURE HOSE,2250 psi	1
MA-00014A-R-50	3/8 x 50' "R" SIDE LOW PRESSURE HOSE,2250 psi	1
MA-00040A-A	1/4 x 10" "A" SIDE GUN HOSE, 3500psi	1
MA-00040A-R	1/4 x 10" "R" SIDE GUN HOSE, 3500psi	1
MA-00005A-50	50' SCUFF JACKET	1
MA-00005A-35	35' SCUFF JACKET	1
MA-00005A-10	10' SCUFF JACKET	1
HI-05014	HOSE; PUMP TO HEATER	2

CONSOLE ELECTRICAL PARTS

Part No.	Description	Quantity
EL-175	HEATER BREAKER, 50 AMP	2
EL-108	HOSE BREAKER, 32 AMP	1
EL-12	CONTROL BREAKER, 3 AMP	1
EL-111	MOTOR BREAKER, 15 AMP/1 PHASE	1
EL-113	MOTOR BREAKER, 15 AMP/3 PHASE	1
EL-122	POWER SUPPLY, DC	1
EL-160	RELAY, SSR (REVERSING)	2
EL-154	RELAY, LATCH (REVERSING)	1
EL-120	RELAY, DPDT (CONTACTOR)	1
EL-119	CONTACTOR, 40 AMP	1
EL-118	MOTOR CONTACTOR	1
EL-161	MOTOR OVERLOAD, 3 PHASE	1
EL-123	RELAY, SSR 75 AMP (HOSE/HEATERS)	3



Classic PH-40 Manual

CONSOLE PANEL ELECTRICAL PARTS

Part No.	Description	Quantity
EL-124	TOTALIZER	1
EL-127	AUTO COUNT DOWN	1
EL-159-HOSE	TEMPERTURE CONTROLLER, HOSE	1
EL-159-HTR	TEMPERTURE CONTROLLER, HEATER	2

EMERGENCY STOP SWITCH

Part No.	Description	Quantity
EL-133-NO	SWITCH, NORMALLY OPEN	1
EL-106	E-STOP KNOB	1
EL-131-R	LIGHT	1
EL-133-NC	SWITCH, NORMALLY CLOSED	1

HOSE (1) / HEATER (2) SWITCH

Part No.	Description	Quantity
EL-133-NO	SWITCH, NORMALLY OPEN	1
EL-131-R	LIGHT	1

MAIN POWER LIGHT ASSEMBLY

Part No.	Description	Quantity
EL-134	SOCKET	1
EL-132-G	LIGHT	1
EL-135	LENS	1

MAIN POWER SWITCH

Part No.	Description	Quantity
EL-103	MOUNTING KIT	1
EL-100	DISCONNECT	1
EL-105	HANDLE	1
EL-101	MODULE, 4 POLE	1



Classic PH-40 Manual

CONTROL POWER SWITCH

Part No.	Description	Quantity
EL-18-R	KNOB ASSY	1
EL-130	INSERT, MOMENTARY	2
EL-133-NC	SWITCH, NORMALLY CLOSED	1
EL-133-NO	SWITCH, NORMALLY OPEN	1

MOTOR SWITCH

Part No.	Description	Quantity
EL-129-R	KNOB ASSY	1
EL-131-R	LIGHT	1
EL-133-NO	SWITCH, NORMALLY OPEN	1

PUMP SWITCH

Part No.	Description	Quantity
EL-128-W	KNOB ASSY	1
EL-133-NO	SWITCH, NORMALLY OPEN	2

AUTO COUNT DOWN SWITCH

Part No.	Description	Quantity
EL-129-G	KNOB ASSY	1
EL-131-G	LIGHT	1
EL-133-NO	SWITCH, NORMALLY OPEN	1
EL-133-NC	SWITCH, NORMALLY CLOSED	1

RIGHT DIRECTIONAL LIGHT

Part No.	Description	Quantity
EL-134	SOCKET	1
EL-131-W	BULB	1
EL-138	LENS	1



Classic PH-40 Manual

LEFT DIRECTIONAL LIGHT

Part No.	Description	Quantity
EL-134	SOCKET	1
EL-131-W	BULB	1
EL-139	LENS	1

TRANSFORMER VOLT LIGHT

Part No.	Description	Quantity
EL-134	SOCKET	1
EL-132-R	BULB	1
EL-137	LENS	1

TRANSFORMER AMP LIGHT

Part No.	Description	Quantity
EL-134	SOCKET	1
EL-132-W	BULB	1
EL-136	LENS	1

TRANSFORMER

Part No.	Description	Quantity
EL-150	BREAKER, 63 AMP	1
EL-37	SINGNAL TRANSFORMER	1
		1

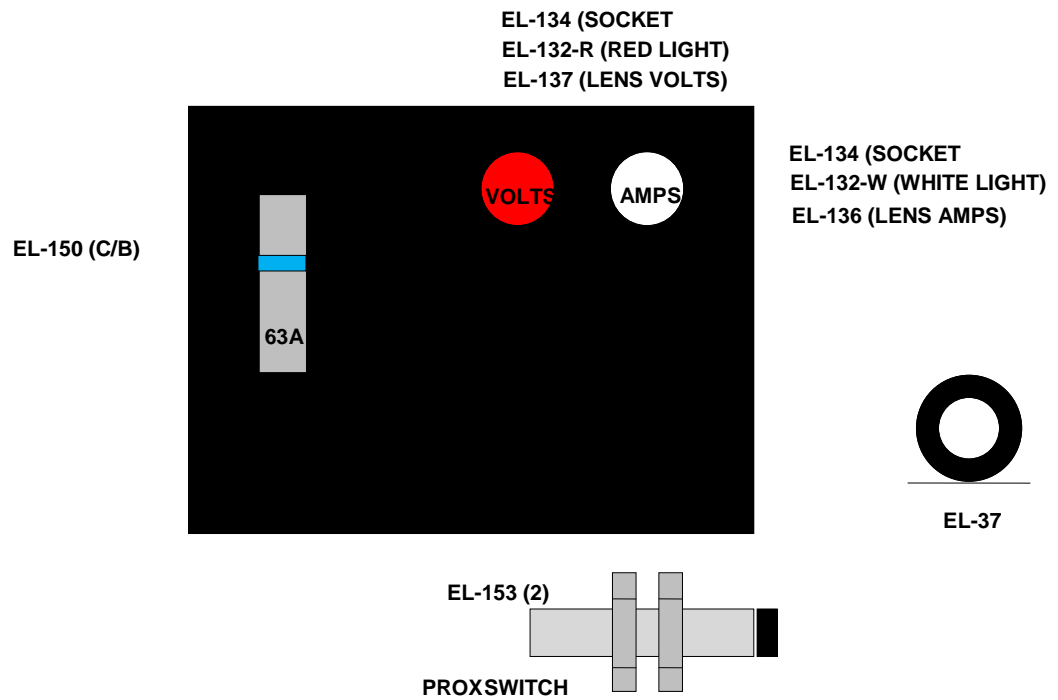
MACHINE ELECTRICAL PARTS

Part No.	Description	Quantity
EL-153	PROX SWITCH	2



Classic PH-40 Manual

TRANSFORMER ELECTRICAL PARTS

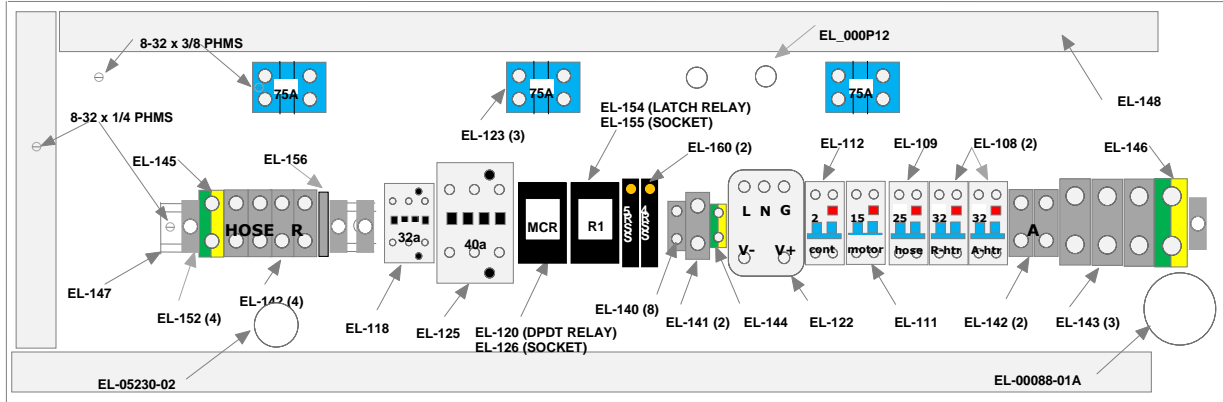




Classic PH-40 Manual

CONTROL PANEL INNER PLATE

(View from back of machine)



Heater

10.5kw	50a	EL-175
9kw	50a	EL-175
7.5kw	50a	EL-175
6kw	32a	EL-108
5kw	32a	EL-108
4kw	32a	EL-108
3.7kw	25a	EL-116

Hose

120vac	32a	EL-108
90vac	25a	EL-109
30vac	15a	EL-115

Motor

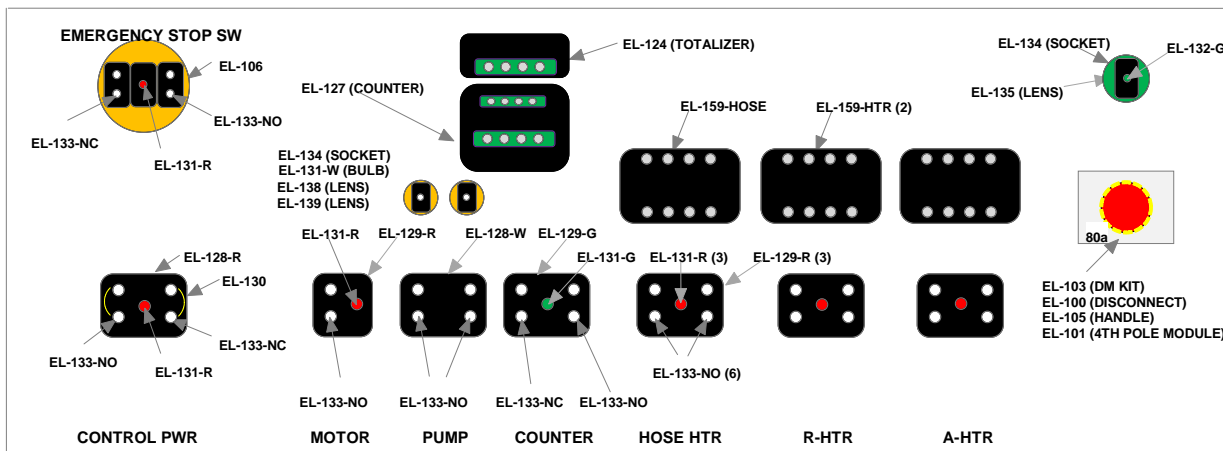
3hp:1ph	15a	EL-111
3hp:3ph	15a	EL-176
5hp:1ph	15a	EL-111
5hp:3ph	15a	EL-175

Heater contactor: 40a for all units

Motor contactor: 32a for all units

CONTROL PANEL FRONT PLATE

(View from back of machine)

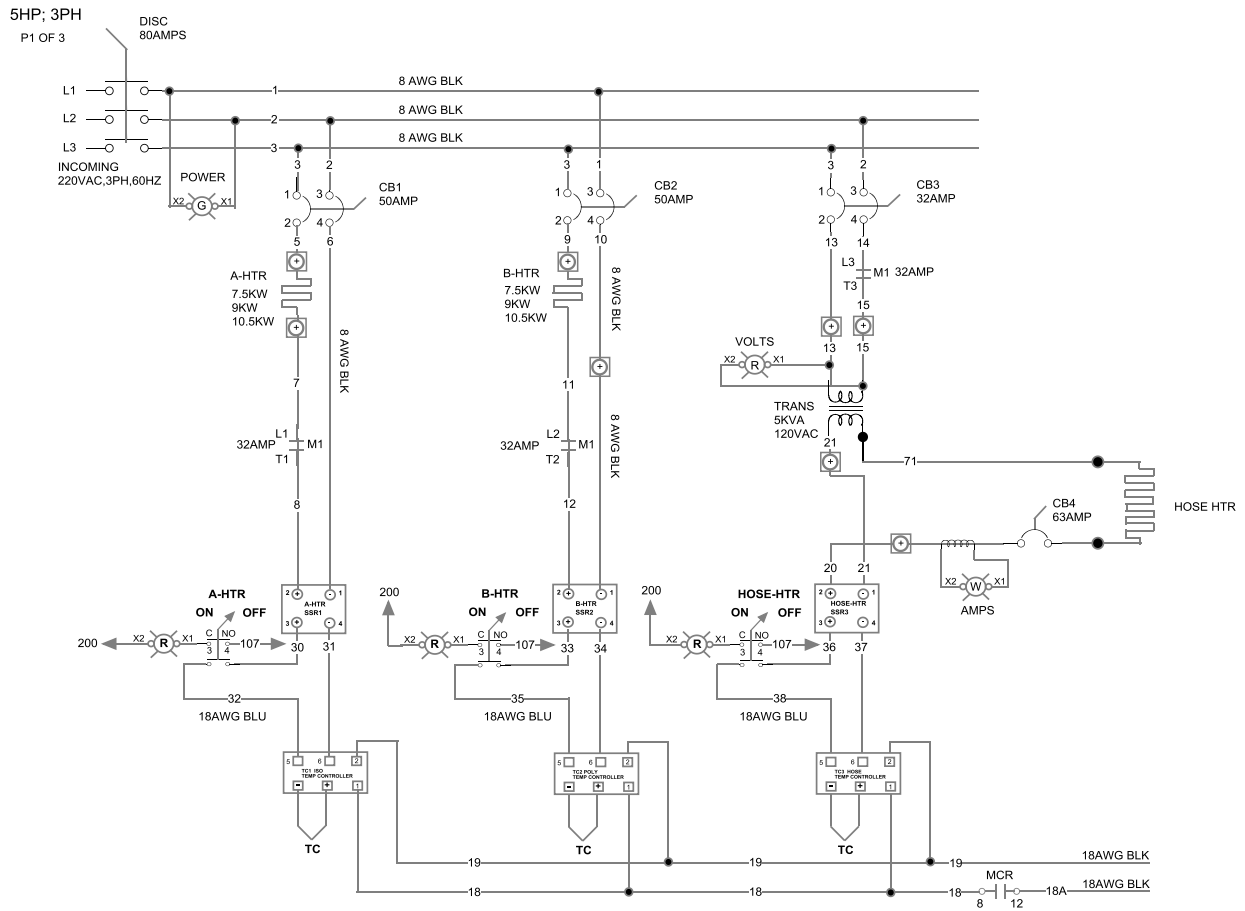




Classic PH-40 Manual

Electrical Schematics

5HP; 3PH (Page 1 of 3)





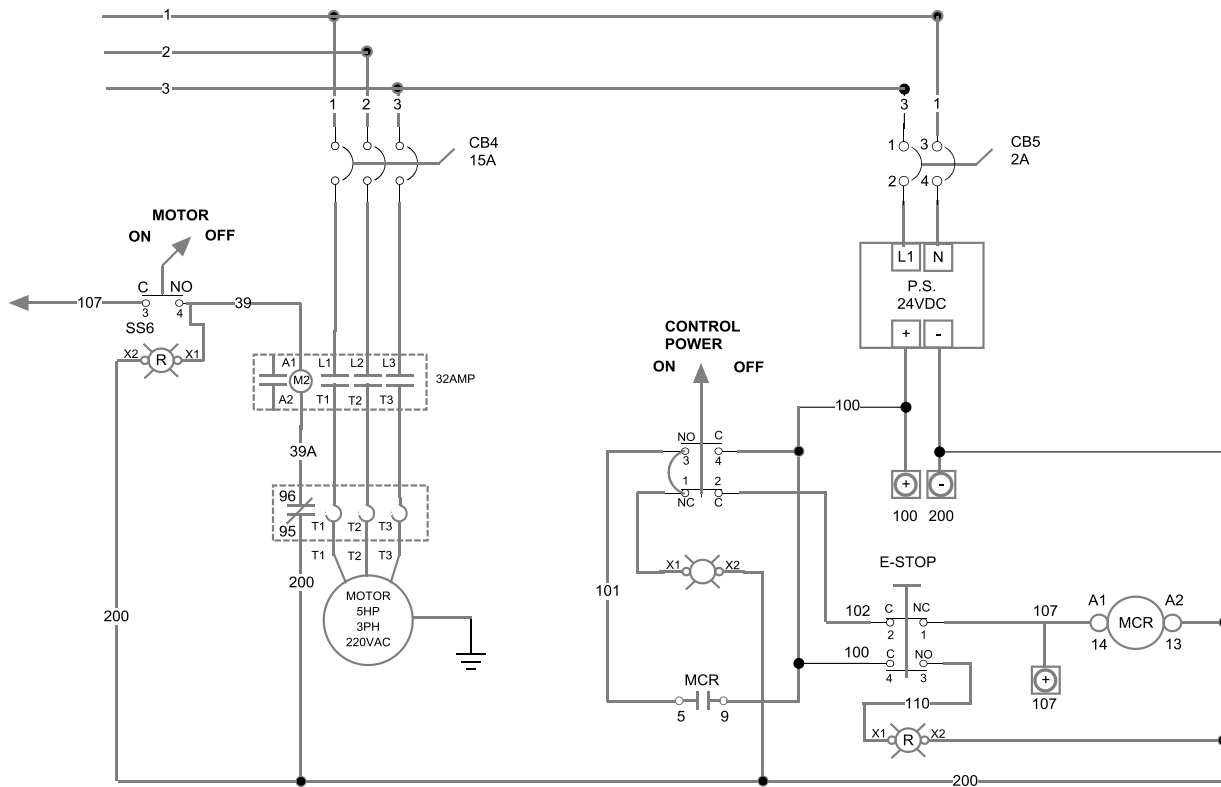
Classic PH-40 Manual

Electrical Schematics

5HP; 3PH (Page 2 of 3)

5HP; 3PH

P2 OF 3





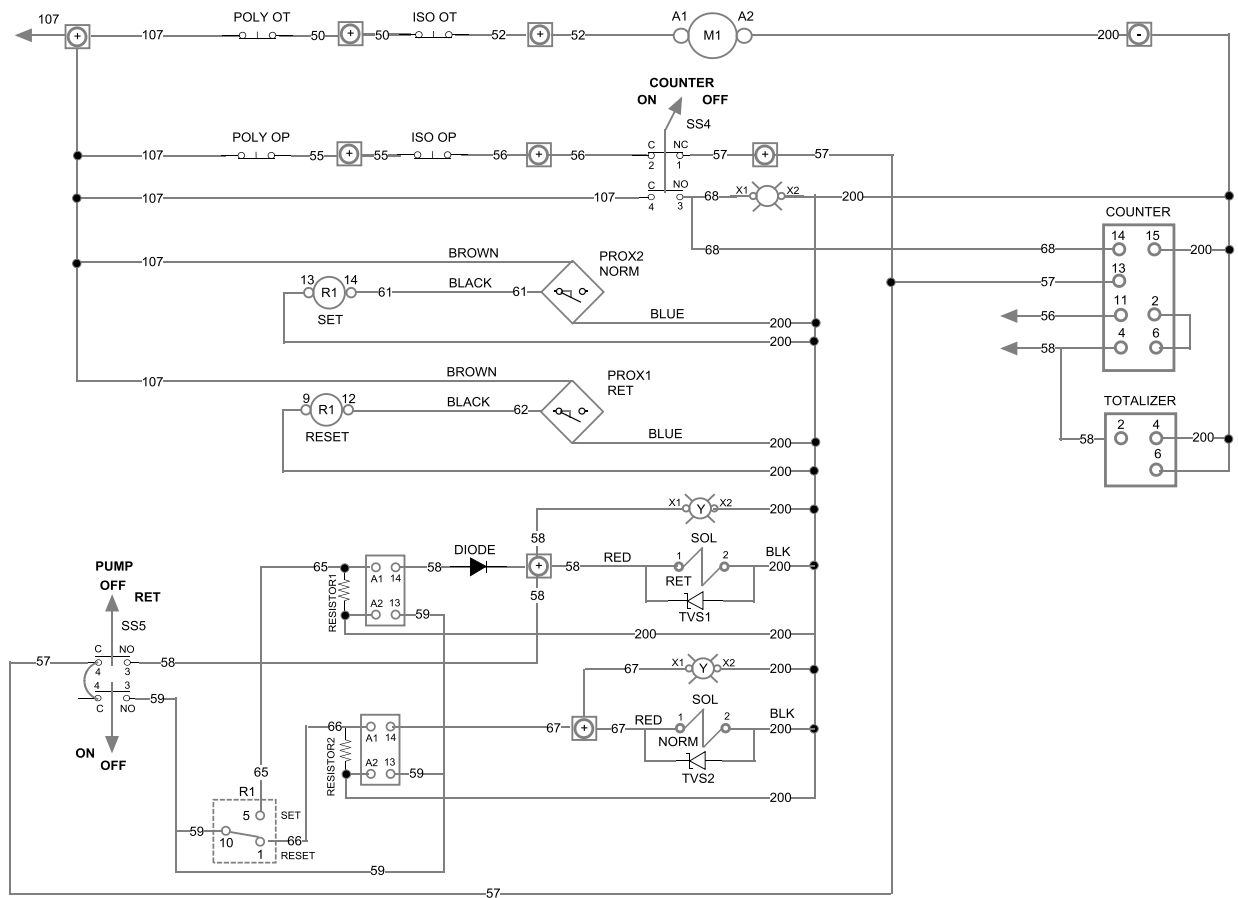
Classic PH-40 Manual

Electrical Schematics

5HP; 3PH (Page 3 of 3)

5HP; 3PH

P3 OF 3

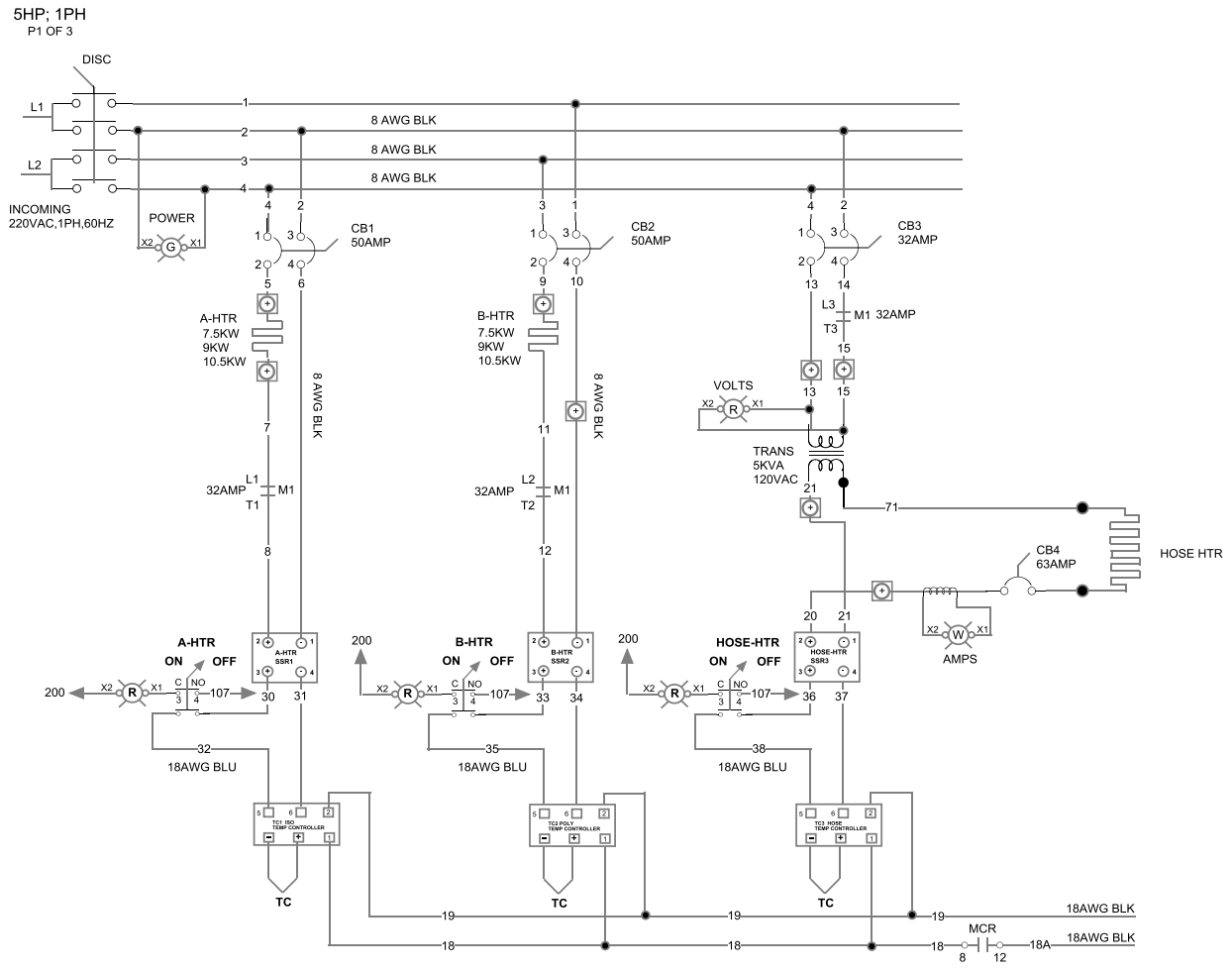




Classic PH-40 Manual

Electrical Schematics

5HP; 1PH (Page 1 of 3)

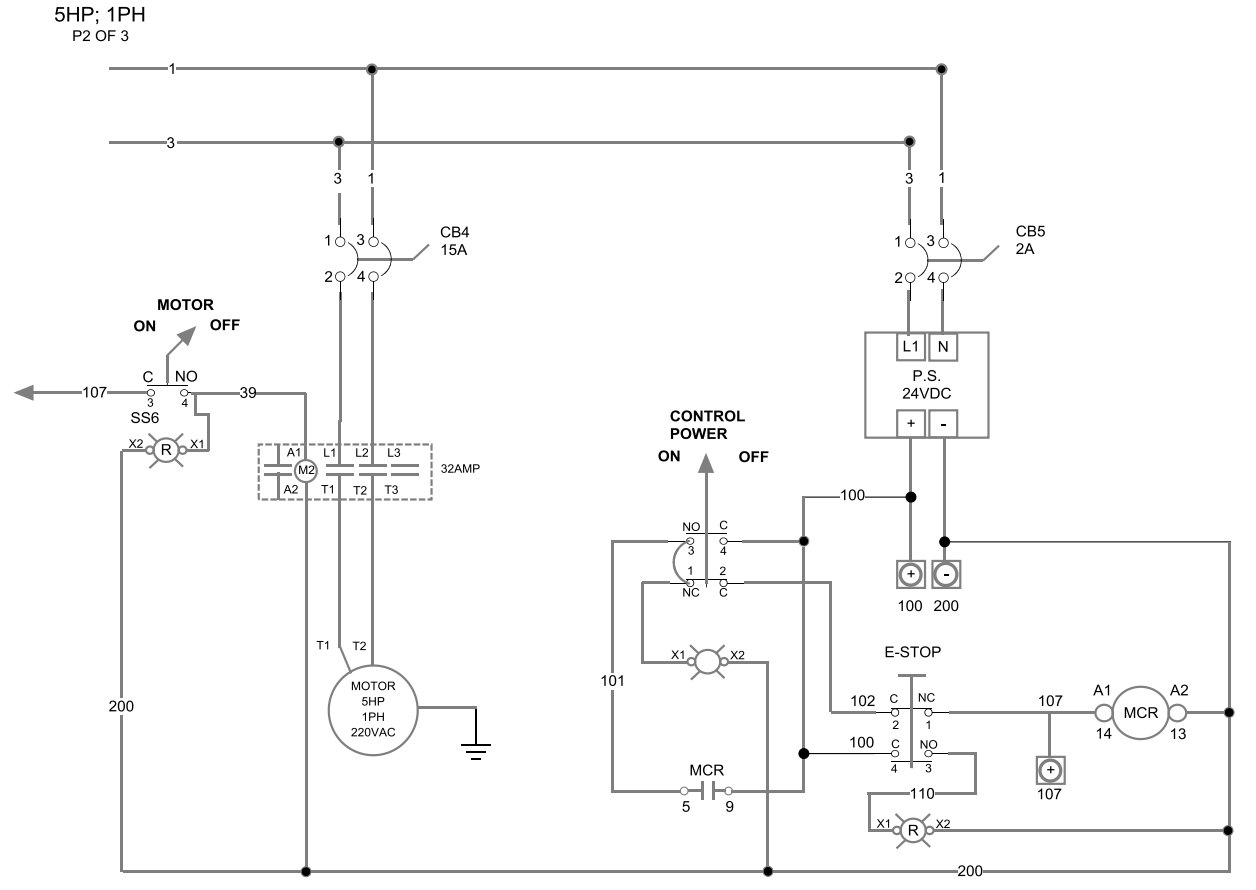




Classic PH-40 Manual

Electrical Schematics

5HP; 1PH (Page 2 of 3)





Classic PH-40 Manual

Electrical Schematics

5HP; 1PH (Page 3 of 3)

5HP; 1PH
P3 OF 3

